



<b>EN</b>	<b>PHOENIX 300 POWER STATION</b> .....	<b>01</b>
	<b>USER GUIDE</b>	
<b>CN</b>	<b>驭光者·火鸟300太阳能便携式电源箱</b> .....	<b>18</b>
	<b>用户指南</b>	
<b>ES</b>	<b>PHOENIX 300 CENTRAL ELÉCTRICA</b> .....	<b>34</b>
	<b>GUÍA DEL USUARIO</b>	
<b>FR</b>	<b>PHOENIX 300 CENTRALE ÉLECTRIQUE</b> .....	<b>51</b>
	<b>GUIDE DES UTILISATEURS</b>	
<b>JP</b>	<b>PHOENIX 300 ポータブル電源</b> .....	<b>68</b>
	<b>取り扱い説明書</b>	

# PHOENIX 300 POWER STATION

Model: R300PHX

 **User Guide**

## TABLE OF CONTENTS

IMPORTANT SAFETY INSTRUCTIONS .....	03
FEATURES .....	04
PACKAGE CONTENTS .....	04
PRODUCT OVERVIEW .....	05
SPECIFICATIONS .....	06
BATTERY LEVEL LED INDICATORS .....	07
RECHARGING YOUR PHOENIX 300 .....	07
OPERATING YOUR PHOENIX 300 .....	10
MAINTENANCE .....	12
TROUBLESHOOTING .....	13
FREQUENTLY ASKED QUESTIONS .....	16
WARRANTY .....	17

## IMPORTANT SAFETY INSTRUCTIONS

Please read the User Guide carefully before recharging or operating your Phoenix 300.

### IMPORTANT SYMBOLS

**WARNING**

Indicates potentially dangerous conditions that could result in personal injury

**CAUTION**

Indicates conditions or practices that could result in damages to the unit or other equipment

**NOTE**

Indicates procedures or functions that are important for proper and safe operation of the unit and/or other equipment

**WARNING**

DO NOT submerge the unit in water or operate the unit in the rain. Doing so may cause short-circuits, electric shocks, and/or fire.

**WARNING**

DO NOT place the unit near fire and/or heat the unit. Doing so may cause irreversible damages to the unit and/or battery explosion.

**WARNING**

DO NOT overload the AC or DC outputs. Please check the specifications of output ports and devices before operation.

**WARNING**

Please dispose of the product according to the local recycling and environmental regulations.

**WARNING**

Please turn off the output ports when no devices are connected to the unit to prevent electric shocks.

**CAUTION**

DO NOT dismantle or modify the unit. Doing so may cause irreversible damages to the unit and void warranty.

**CAUTION**

DO NOT drop or strike the unit. Doing so may cause circuit failures and cracks in the casing.

**CAUTION**

Keep the unit out of the reach of young children.

**CAUTION**

DO NOT place the unit under direct sunlight or place in high-temperature situations. Doing so may cause unit malfunction or component degradation.

**CAUTION**

DO NOT expose the unit to strong electrostatic fields, strong magnetic fields, and/or radiation.

**CAUTION**

Please check the unit before each use. Stop using the unit if you notice unusual smells, heating, distortion, or any other abnormalities.

## FEATURES

### REVOLUTIONARY SPEED

The PHOENIX 300's USB-C port features Power Delivery (PD) technology that can pump out up to 60W power to compatible devices. Quick Charge (QC) technology allows for up to 18W of output power from the USB-A port.

### VERSATILE POWERING OPTIONS

The PHOENIX 300 is equipped with multiple commonly used output ports to power essential gadgets and small appliances, while a D-Tap port is at the ready for your photography and videography equipment.

### PURE SINE WAVE

Produce clean, silent, and stable AC power up to 200W with the pure sine wave inverter to power delicate electronic devices efficiently and safely.

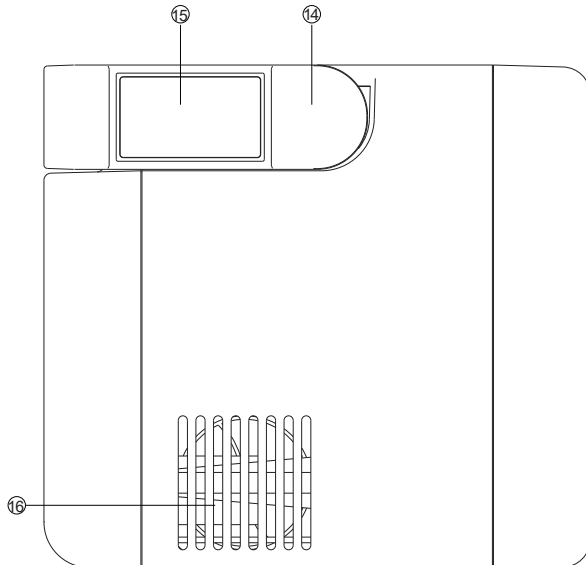
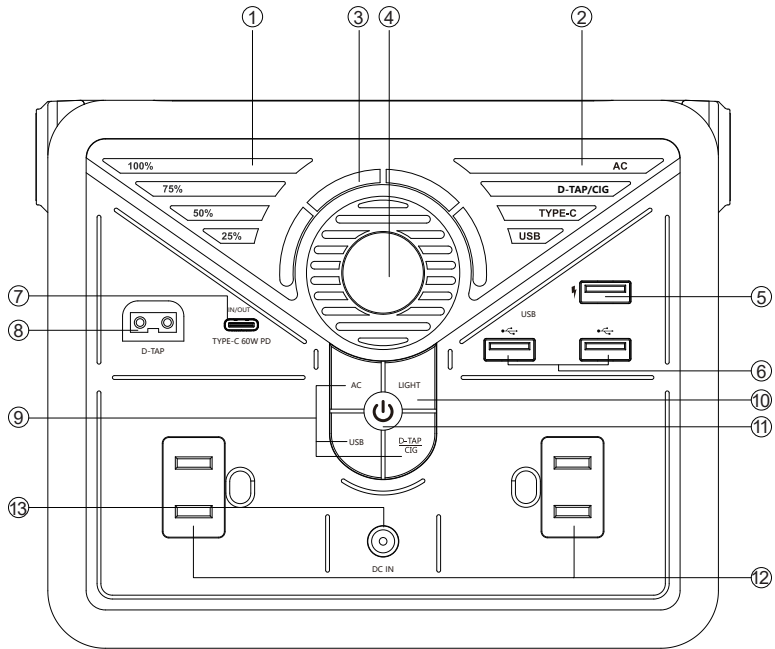
### ULTIMATE SAFETY

The battery management system (BMS) commands voltage control, temperature control, short circuit protection, and overcurrent protection to keep both the power station and your devices safe from damage.

## PACKAGE CONTENTS

- 1 x Renogy PHOENIX 300 Power Station
- 1 x USB-A to USB-C Cable
- 1 x USB-C to USB-C Cable
- 1 x Solar Panel Connectors to 5.5mm DC Adapter Cable
- 1 x AC/DC Adapter
- 1 x User Guide

# PRODUCT OVERVIEW



- ① Battery Level LED Indicators
- ② Port Status LED Indicators
- ③ Flashlight Status LED Indicators
- ④ CIG Port
- ⑤ QC USB-A Port
- ⑥ USB-A Ports
- ⑦ USB-C PD Port
- ⑧ D-Tap Port
- ⑨ Port On/Off Buttons
- ⑩ Flashlight On/Off Button
- ⑪ Main Power Button
- ⑫ AC Outlets
- ⑬ DC Input Port
- ⑭ Folding Carrying Handle
- ⑮ LED Flashlight
- ⑯ Air Vent

## SPECIFICATIONS

<b>General</b>	
Dimension	181 x 155 x 143 mm / 7.1 x 6.1 x 5.6 in.
Weight	2.9 kg / 6.4 lb.
Material	PC + ABS
Flashlight	2 x 1.6W LED
Normal Operating Temperature	0-40 °C / 32-104 °F
Storage Temperature	0-45 °C / 32-113 °C
Operating / Storage Humidity	45-95%
Certifications	FCC, CE, PSE, RoSH
<b>Battery</b>	
Type	Lithium-ion Battery
Voltage	14.4V
Capacity	23400mAh / 337Wh
Cycle Life	1000 Cycles to 80% Capacity
<b>Input</b>	
DC Input Port	12-25V, 50W Max
USB-C PD Port	5-20V, 60W Max
Total	110W Max
<b>Output</b>	
QC USB-A Port	3.6-6V / 3A, 6.5-9V / 2A, 9-12V / 1.5A, 18W Max
USB-A Port (2)	5V / 2.4A Each, 3.4A Total Max
USB-C PD Port	5-20V, 60W Max

CIG Port	11-17V / 10A Max
D-Tap Port	11-17V / 10A Max
AC Outlet (2)	110V / 60Hz (US, JP, CA) 220V / 50Hz (AU, EU, CN) 200W Rated, 350W Surge Pure Sine Wave
Total Continuous Output	300W Max

## BATTERY LEVEL LED INDICATORS

- Four Battery Level LED Indicators indicate the battery level of the PHOENIX 300, approximating 25% - 50% - 75% - 100% capacity.
- As you use your PHOENIX 300 to power other devices, the Battery Level LED Indicators will go out one by one to indicate the remaining battery capacity.
- When the battery level of PHOENIX 300 is lower than 15%, the last Battery Level LED Indicator will flash twice per second.
- When recharging your PHOENIX 300, one of the Battery Level LED Indicators will flash. The flashing LED indicates the unit's current battery level. Once your PHOENIX 300 is fully recharged, all Battery Level LED Indicators will be lit and remain solid.

### CAUTION

If the Battery Level LED Indicators flash in an unusual way, your PHOENIX 300 may need special attention. Please refer to the TROUBLESHOOTING section for help.

## RECHARGING YOUR PHOENIX 300

### CAUTION

To maximize battery life, be sure to fully recharge your PHOENIX 300 before operating or storing.

### NOTE

To shorten the recharge time of PHOENIX 300, it is recommended to disconnect all loads while recharging the unit.

### Recharge Time

- **Recharge via Solar:** 8 Hours
- **Recharge via AC/DC Adapter:** 8 Hours
- **Recharge via USB-C PD Wall Charger:** 6 Hours
- **Recharge via both AC/DC Adapter and USB-C PD Wall Charger:** 3.5 Hours

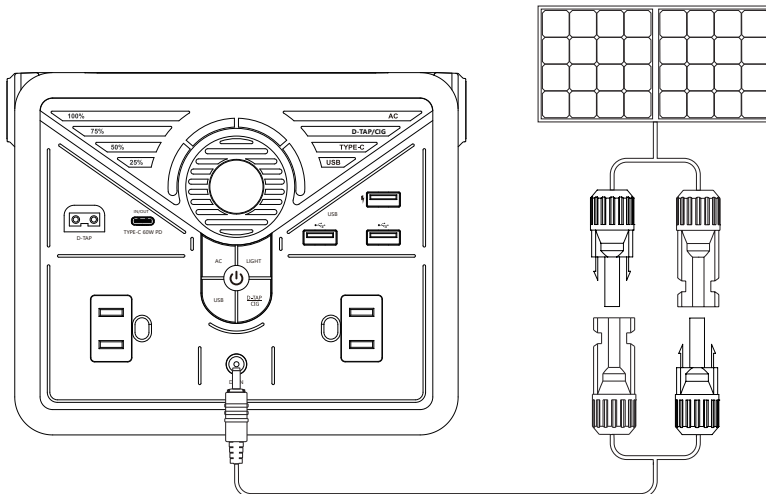


**NOTE**

The above recharge times are based on conditions when the PHOENIX 300 is recharged at full speed with no loads connected to it.

**Recharging via Solar**

- For optimal recharging performance, it is strongly recommended to recharge your PHOENIX 300 using a compatible solar panel (not included) on bright sunny days free of scattered clouds.
- Place the solar panel under direct sunlight. Steer clear of trees or branches that can shade the solar panel and slow down the recharging process.
- Use the included Solar Panel Connectors to DC Adapter Cable to connect the solar panel to the DC Input Port of your PHOENIX 300 and place your PHOENIX 300 in the shade to prevent it from overheating.
- The PHOENIX 300 will begin to recharge automatically and one of the Battery Level LED Indicators will flash. The flashing LED indicates the unit's current battery level.

**Compatible Solar Panels:**

- **Renogy Monocrystalline Solar Panel:** 50W, 80W, 100W
- **Renogy Polycrystalline Solar Panel:** 50W, 100W
- **Renogy ECLIPSE Series Solar Panel:** 100W
- **Renogy Monocrystalline Foldable Solar Suitcase w/o Controller:** 100W
- **Renogy ECLIPSE Series Foldable Solar Suitcase w/o Controller:** 100W
- **Renogy Flexible Solar Panel:** 50W, 100W
- **Renogy E.FLEX Series Portable Solar Panel:** 50W

**WARNING**

Electrical shock can occur if the Solar Panel Connectors to DC Adapter Cable is damaged or frayed. DO NOT use a damaged or frayed cable to recharge your PHOENIX 300.

**CAUTION**

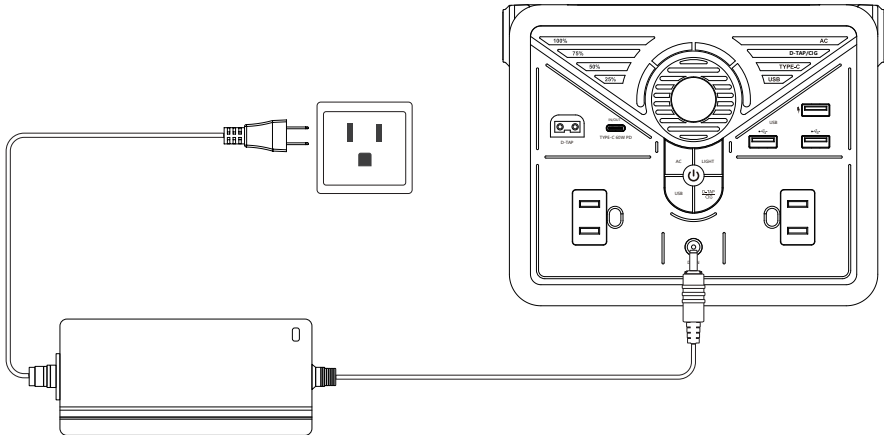
Make sure the open circuit voltage of the solar panel does not exceed 25V or fall short of 12V.

**NOTE**

The solar recharge time is highly dependent on solar irradiance and ambient temperature.

**Recharging via AC/DC Adapter**

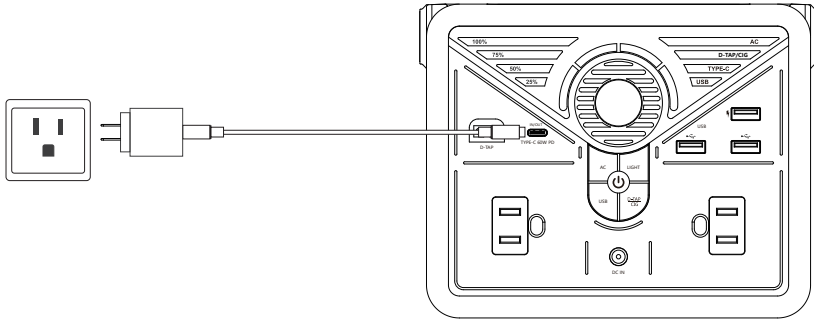
- Plug your PHOENIX 300 into a wall outlet through the DC Input Port using the included AC/DC Adapter.
- The PHOENIX 300 will begin to recharge automatically and one of the Battery Level LED Indicators will flash. The flashing LED indicates the unit's current battery level.

**WARNING**

Electrical shock can occur if the power supply cable of AC/DC Adapter is damaged or frayed. DO NOT use a damaged or frayed cable to recharge your PHOENIX 300.

**Recharging via USB-C PD Wall Charger**

- Connect the USB-C PD Port of your PHOENIX 300 to a USB wall charger (not included) using the included USB-A to USB-C Cable or USB-C to USB-C Cable and plug the USB wall charger into a wall outlet.
- The PHOENIX 300 will begin to recharge automatically and one of the Battery Level LED Indicators will flash. The flashing LED indicates the unit's current battery level.
- The PHOENIX 300 is designed to be recharged via either a USB-C wall charger or a USB-A wall charger. However, for optimal recharging performance, it is highly recommended to recharge your PHOENIX 300 using a USB-C PD wall charger (not included) with a high power rating.



**Recommended USB Wall Chargers:**

- **Apple USB-C Power Adapter:** 30W, 61W, 87W, 96W
- **Google USB-C Power Adapter:** 45W

**WARNING** Electrical shock can occur if the USB wall charger is damaged. DO NOT use a damaged USB wall charger to recharge your PHOENIX 300.

**OPERATING YOUR PHOENIX 300**

**CAUTION** Operating your PHOENIX 300 at high temperatures above 104°F (40°C) or at low temperatures below 32°F (0°C) can result in battery performance degradation and service life shortening. For optimal battery performance and maximum battery life, it is strongly recommended to operate your PHOENIX 300 at room temperature.

**Operation Time**

• **Battery Powered Devices:**

$$\text{Number of Full Charges} = \frac{67,392\text{mAh} \times 0.95}{\text{The Battery Capacity of Device (mAh)}}$$

• **DC Powered Devices:**

$$\text{Working Hours} = \frac{337\text{Wh} \times 0.95}{\text{The Rated Power of Device (W)}}$$

• **AC Powered Devices:**

$$\text{Working Hours} = \frac{337\text{Wh} \times 0.85}{\text{The Rated Power of Device (W)}}$$

**NOTE** The above estimation formulas only apply when the PHOENIX 300 has been fully recharged and the device does not draw too much power.

**NOTE** Actual number of full charges and working hours may vary from different powering methods and device operation status.

## Powering Your Devices

- Four Port Status LED Indicators respectively display the status of the AC Outlets, D-Tap Port and CIG Port, USB-C PD Port, as well as QC USB-A Port and USB-A Ports.
- To use the CIG Port, D-Tap Port, and AC Outlets, first press the corresponding Port On/Off Button to turn on the port. The corresponding Port Status LED Indicator will illuminate. Then, connect your device to the port for power. When not using the port, long press the corresponding Port On/Off Button to turn it off and the corresponding Port Status LED Indicator will go out.
- To use the USB-A Ports and QC USB-A Port, directly connect your device to the port. The PHOENIX 300 will begin to power your device automatically with the corresponding Port Status LED Indicator illuminating. When not using the port, long press the corresponding Port On/Off Button to turn it off and the corresponding Port Status LED Indicator will go out.
- To use the USB-C PD Port, directly connect your device to the port. The PHOENIX 300 will begin to power your device automatically with the corresponding Port Status LED Indicator illuminating. When not using the port, disconnect your device from the port and the corresponding Port Status LED Indicator will go out.
- When no device is connected to the PHOENIX 300, press the Main Power Button to turn it off to conserve energy.
- When the battery level of PHOENIX 300 is lower than 10%, use of the AC Outlets will be automatically disabled. Please use DC outputs to continue powering your devices.
- When the battery voltage is excessive low, all the outputs will be cut off automatically. See TROUBLESHOOTING for more details.

### Compatible Devices:

- **USB-A Ports / QC USB-A Port:** Smart Watch, Electronic Book, Smart Phone, Tablet, Action Camera, Digital Camera, Bluetooth Speaker, Wireless Headphone, Drone, and other USB enabled devices.
- **USB-C PD Port:** Smart Phone, Tablet, Laptop, Handheld Gaming Console, DSLR Camera, and other USB-C enabled devices.
- **CIG Port:** Portable Refrigerator, Car Vacuum, Car Air Fan, CPAP Machine and other car powered devices.
- **D-Tap Port:** DSLR Camera, Camcorder, Digital Cinema Camera, LED Light, and other photography or videography equipment.
- **AC Outlets:** Laptop, Monitor, TV, Game Console, Inkjet Printer, Portable Projector, Light Bulb and other AC powered devices.

**WARNING**

The PHOENIX 300 can provide up to 300W total continuous output. Allocate the outputs rationally and follow the specifications of each output port. DO NOT overload your PHOENIX 300.

**CAUTION**

Battery high-temperature protection may be triggered when the PHOENIX 300 is operating at full load. When this is the case, cool down the unit before resuming operation. See TROUBLESHOOTING for more details.

**CAUTION**

When using the AC outlets of your PHOENIX 300, keep 4 inches of space on either side of the unit to guarantee efficient heat dissipation of the inverter.

**CAUTION**

If any of the Ports Status LED Indicators flashes in an unusual way, your PHOENIX 300 may need special attention. See TROUBLESHOOTING for help.

**NOTE**

Some devices that require high current impulse may not be compatible with the PHOENIX 300 even though they do not exceed the power ratings of output ports.

**NOTE**

When the PHOENIX 300 is powering devices that have high power consumption, the battery level can drop quickly. In this case, you may not get exactly 337Wh of energy.

**NOTE**

The PHOENIX 300 can be recharged and deliver DC power to your devices simultaneously. However, AC power is not available when the PHOENIX 300 is being recharged.

### Using the LED Flashlight

- The LED Flashlights on both sides of the Folding Carrying Handle have four light modes: Bright (100% brightness), Dim (50% brightness), Flashing, and SOS.
- Press the Flashlight On/Off Button to turn on the LED Flashlights, switch light modes, and turn off the LED Flashlights. You can also long press the Flashlight On/Off Button to turn off the LED Flashlights no matter what mode are they in.

## MAINTENANCE

- To prolong the service life of your PHOENIX 300, keep it away from harsh sunlight, water, dust, and dirt. DO NOT leave your PHOENIX 300 outside under harsh environments.
- If possible, keep your PHOENIX 300 connected to a power source when it is not being used and avoid using large loads when the battery level is low.
- To maintain a healthy battery, please recharge your PHOENIX 300 at least once every two months.
- If you do not intend to use your PHOENIX 300 frequently, it is strongly recommended to keep its battery level at around 50% and store it in a clean, dry and well-ventilated environment with temperatures around 77°F (25 °C) and a humidity no higher than 75%.
- Keep your PHOENIX 300 away from corrosives, fire, and heat sources.

## TROUBLESHOOTING

- If your PHOENIX 300 does not operate normally, please refer to the following table for a possible cause and solution.
- If the following troubleshooting solutions do not work, please contact us for help. Refer to the last page of User Guide for contact information.

<b>LED Indicators</b>	<b>Possible Causes</b>	<b>Solution</b>
All Battery Level LED Indicators flash twice per second	<ol style="list-style-type: none"> <li>1. DC Input Port Overvoltage Protection</li> <li>2. DC Input Port Undervoltage Protection</li> </ol>	<ol style="list-style-type: none"> <li>1. Remove all connections</li> <li>2. If the voltage rating of power source does not fall in the range of 12~25V, stop using that power source to recharge the unit via the DC Input Port.</li> <li>3. Connect the unit to the power source that conforms to the specifications of DC Input Port and the unit will resume recharging automatically.</li> </ol>
All Battery Level LED Indicators and Port Status LED Indicators flash twice per second	<ol style="list-style-type: none"> <li>1. Battery High Temperature Protection</li> <li>2. Battery Low Temperature Protection</li> </ol>	<ol style="list-style-type: none"> <li>1. Remove all connections.</li> <li>2. Cool down or warm up the unit to the room temperature.</li> <li>3. If the unit was powering loads, press the Port On/Off Button(s) to turn on the output port(s) again and reconnect the loads to the unit.</li> <li>4. If the unit was recharging, reconnect the unit to the power source and the unit will resume recharging automatically.</li> </ol>
The last Battery Level LED Indicator flashes twice per second and the unit gets shut off afterwards	<ol style="list-style-type: none"> <li>1. Battery Low Voltage Protection</li> </ol>	<ol style="list-style-type: none"> <li>1. Remove all output connections.</li> <li>2. Press the Port On/Off Buttons.</li> </ol>

		<ol style="list-style-type: none"> <li>3. If output ports can be turned on, it means that the loads drew too much power from the unit and pulled down the battery voltage. In this case, only connect small loads to the unit.</li> <li>4. If none of the output ports can be turned on, it means that the unit should not continue powering loads. In this case, recharge the unit as soon as possible to avoid permanent damages to the battery.</li> </ol>
<p>All Battery Level LED Indicators and the Port Status LED Indicator of USB-A Ports and QC USB-A Port flash twice per second</p>	<ol style="list-style-type: none"> <li>1. USB-A Ports or QC USB-A Port Overcurrent Protection</li> <li>2. USB-A Ports or QC USB-A Port Short-circuit Protection</li> </ol>	<ol style="list-style-type: none"> <li>1. Remove connections to the USB-A Ports and QC USB-A Port.</li> <li>2. If the USB-A Ports or QC USB-A Port were shorted, remove the short circuit immediately.</li> <li>3. If the loads drew currents that exceed the specifications of USB-A Ports or QC USB-A Port, stop powering those loads via the USB-A Ports or QC USB-A Port.</li> <li>4. Connect only the loads that conform to the specifications of USB-A Ports and QC USB-A Port to the unit.</li> </ol>
<p>All Battery Level LED Indicators and the Port Status LED Indicator of D-Tap Port and CIG Port flash twice per second</p>	<ol style="list-style-type: none"> <li>1. D-Tap Port or CIG Port Overcurrent Protection</li> <li>2. D-Tap Port or CIG Port Short-circuit Protection</li> </ol>	<ol style="list-style-type: none"> <li>1. Remove connections to the D-Tap Port and CIG Port.</li> <li>2. If the D-Tap Port or CIG Port was shorted, remove the short circuit immediately.</li> <li>3. If the loads drew currents that exceed the specifications of D-Tap Port or CIG Port, stop powering those loads via the D-Tap Port or CIG Port.</li> </ol>

		<p>4. Press the Port On/Off Button to turn on the D-Tap Port and CIG Port again and connect only the loads that conform to the specifications of D-Tap Port and CIG Port to the unit.</p>
<p>All Battery Level LED Indicators and the Port Status LED Indicator of USB-C PD Port flash twice per second</p>	<ol style="list-style-type: none"> <li>1. USB-C PD Port Overcurrent Protection</li> <li>2. USB-C PD Port Short-circuit Protection</li> </ol>	<ol style="list-style-type: none"> <li>1. Remove the connection to the USB-C PD Port.</li> <li>2. If the USB-C PD Port was shorted, remove the short circuit immediately.</li> <li>3. If the load drew a current that exceeds the specifications of USB-C PD Port, stop powering that load via the USB-C PD Port.</li> <li>4. Connect only the load that conforms to the specifications of USB-C PD Port to the unit.</li> </ol>
<p>All Battery Level LED Indicators and the Port Status LED Indicator of AC Outlets flash twice per second</p>	<ol style="list-style-type: none"> <li>1. AC Outlets Overcurrent Protection</li> <li>2. AC Outlets Short-circuit Protection</li> <li>3. Inverter Over Temperature Protection</li> <li>4. Inverter Undervoltage Protection</li> </ol>	<ol style="list-style-type: none"> <li>1. Remove all output connections.</li> <li>2. If the AC Outlets were shorted, remove the short circuit immediately.</li> <li>3. If the loads drew power that exceeds the specifications of AC Outlets, stop powering those loads via the AC Outlets.</li> <li>4. If the unit has been operating at high loads or at high temperatures for a long time, cool down the unit to room temperature.</li> <li>5. If the unit was powering large loads via AC Outlets at a low battery level, recharge the unit before resuming operation.</li> </ol>



		6. Press the Port On/Off Button to turn on the AC Outlets again and connect only the loads that conforms to the specifications of AC Outlets to the unit.
All Battery Level LED Indicators and the Port Status LED Indicators of all operating output ports flash twice per second	1. Total Output Overload Protection	1. Reallocate the outputs to keep the total output power under 300W. 2. Press the Port On/Off Button(s) to turn on only necessary output port(s).

## FREQUENTLY ASKED QUESTIONS

### 1. Why doesn't my PHOENIX 300 power other devices?

First, make sure the output ports have been turned on by pressing the corresponding Port On/Off Buttons. Then, check the battery level of the unit. If the last Battery Level LED Indicator is flashing, please recharge the unit as soon as possible. Finally check if the connected device conforms to the specifications of output ports. If the unit still can't power your devices, see TROUBLESHOOTING or contact us for help. Refer to the last page of User Guide for contact information.

### 2. Can I replace the battery pack in my PHOENIX 300?

No, the battery pack in PHOENIX 300 is not replaceable. Do not try to dismantle your PHOENIX 300 and replace the battery by yourself. Doing so may cause irreversible damages to the unit and battery explosion.

### 3. Is the PHOENIX 300 chainable?

No, the PHOENIX 300 cannot be chained with other power stations. If you are looking for a rechargeable AC power supply with larger capacity, please visit our official website or contact us for more options. Refer to the last page of User Guide for contact information.

### 4. Is the PHOENIX 300 waterproof?

No, the PHOENIX 300 is not waterproof. Please keep the unit away from moisture. Do not submerge the unit in water or operate the unit in the rain. Doing so may cause short-circuits, electric shocks, and fire.

### 5. Why doesn't the battery of PHOENIX 300 last as long as I expect?

The battery capacity is rated at 0.2C. When the PHOENIX 300 is powering devices that have high power consumption, the internal resistance of battery will turn more energy into heat and lower battery capacity as a result. When this is the case, you may not get exactly 337Wh of energy.

## WARRANTY

- RENOGY products are covered by a 12-month limited warranty from the original purchase date. If any problems occur, please contact us for assistance. Refer to the last page of User Guide for contact information.
- We only provide after-sales services for products that are sold by RENOGY or retailers and distributors authorized by RENOGY. If you have purchased your unit from other channels, please contact your seller for more information about return and warranty.
- Please register your purchase(s) directly at [warranty.renogy.com/support/tickets/new](https://warranty.renogy.com/support/tickets/new) or your region's corresponding website so that we can stay in touch and contact you in the unlikely event that a safety recall is required.

# 驭光者·火鸟300 太阳能便携式电源箱

型号: R300PHX

 用户指南

## 目录

安全操作准则 .....	20
产品特性 .....	21
产品配件 .....	21
产品概况 .....	22
规格参数 .....	23
电量LED指示灯 .....	24
为您的火鸟300充电 .....	24
使用您的火鸟300 .....	27
维护 .....	29
故障排除 .....	30
常见问题 .....	33
售后保修 .....	33

## 安全操作准则

请在为本机充电或使用本机前仔细阅读用户指南。

### 重要标识

- |           |                             |
|-----------|-----------------------------|
| <b>警告</b> | 表示可能造成人员受伤的潜在危险状况           |
| <b>注意</b> | 表示可能造成本机或用电设备损坏的状况或行为       |
| <b>提示</b> | 表示对本机或用电设备的安全合理使用非常重要的步骤或功能 |

**警告** 请勿将本机浸入水中或在雨中使用本机，以免引发短路，触电或者火灾。

**警告** 请勿将本机放在靠近明火或其他热源的地方，以免对本机造成不可逆的损伤或导致电池爆炸。

**警告** 请勿超出本机的交流输出或直流输出限制。请在使用前确认本机的输出接口和用电设备的规格。

**警告** 请按照当地的回收和环保规范处理本机。

**警告** 请在没有用电设备连接的时候关闭输出接口以防触电。

**注意** 请勿拆解或改装本机。这样做可能对本机造成不可逆的损伤，并且违反我司保修条例。

**注意** 请勿跌落或敲击本机，以免造成电路故障或外壳破损。

**注意** 请将本机放置在儿童接触不到的地方。

**注意** 请勿将本机放置在阳光直射的地方或高温环境下，以免造成设备故障或元件性能衰退。

**注意** 请勿将本机暴露在强静电场，强磁场或辐射的环境中。

**注意** 请在每次使用前对本机进行检查。如果发现异常气味，发热，变形或其他异常，请立即停止使用本机。

## 产品特性

### 革命性的充电速度

火鸟300的USB-C接口采用功率传输（PD）技术，能够为兼容设备提供高达60W的输出功率。同时，快速充电（QC）技术允许USB-A接口提供高达18W的输出功率。

### 多样的接口选择

火鸟300不仅配备了多种常用的输出接口，能够为电子设备和小型家电供电，还为您的摄影和摄像设备特地准备了D-Tap接口。

### 纯正弦波交流电

火鸟300采用纯正弦波逆变器，能够高效，安全地为精密电子设备提供清洁，安静，稳定的交流电，额定功率可达200W。

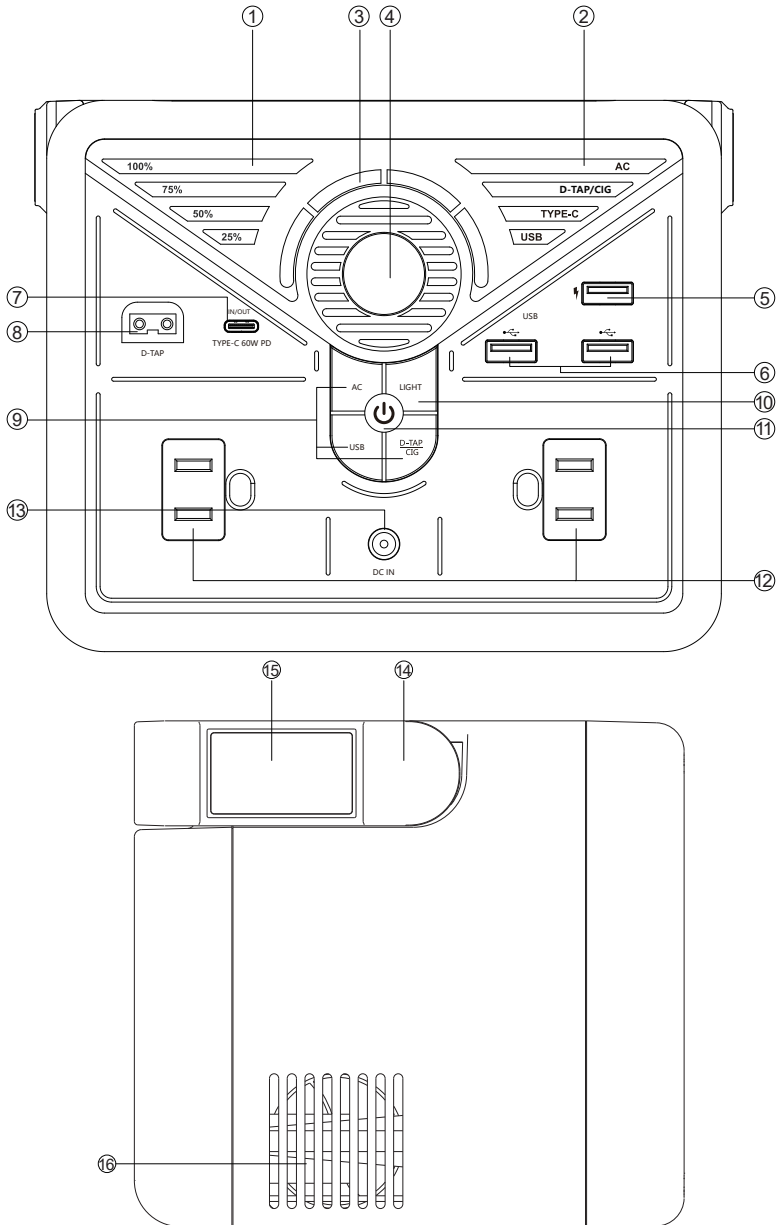
### 极致的安全保护

火鸟300的电池管理系统（BMS）能够承担电压调节，温度调节，短路保护和过流保护等工作，保护本机和您的用电设备免受损伤。

## 产品配件

- 1 x Renogy驭光者·火鸟300太阳能便携式电源箱
- 1 x USB-A转USB-C充电线
- 1 x USB-C转USB-C充电线
- 1 x 光伏连接器转5.5mm DC充电线
- 1 x AC/DC适配器
- 1 x 用户指南

# 产品概况



- ① 电量LED指示灯
- ② 接口状态LED指示灯
- ③ 照明灯状态LED指示灯
- ④ CIG接口
- ⑤ QC USB-A接口
- ⑥ USB-A接口
- ⑦ USB-C PD接口
- ⑧ D-Tap接口
- ⑨ 接口开关
- ⑩ 照明灯开关
- ⑪ 总电源开关
- ⑫ AC插座
- ⑬ DC输入接口
- ⑭ 折叠式提手
- ⑮ LED照明灯
- ⑯ 通风口

## 规格参数

概况	
尺寸	181 x 155 x 143 毫米 / 7.1 x 6.1 x 5.6 英寸
重量	2.9 千克 / 6.4 磅
材料	PC + ABS
照明灯	2 x 1.6W LED
正常工作温度	0-40 °C / 32-104 °F
储存温度	0-45 °C / 32-113 °F
工作/储存湿度	45-95%
认证	FCC, CE, PSE, RoSH
电池	
类型	锂离子电池
电压	14.4V
容量	23400mAh / 337Wh
循环寿命	1000次循环后衰减到80%容量
输入	
DC输入接口	12-25V, 50W (峰值)
USB-C PD接口	5-20V, 60W (峰值)
总输入	110W (峰值)
输出	
QC USB-A接口	3.6-6V / 3A, 6.5-9V / 2A, 9-12V / 1.5A, 18W (峰值)
USB-A接口 (2)	5V / 2.4A (单口峰值), 3.4A (双口峰值)
USB-C PD接口	5-20V, 60W (峰值)



CIG接口	11-17V / 10A (峰值)
D-Tap接口	11-17V / 10A (峰值)
AC插座 (2)	110V / 60Hz (US, JP, CA) 220V / 50Hz (AU, EU, CN) 200W (额定), 350W (瞬时峰值) 纯正弦波
总持续输出	300W (峰值)

## 电量LED指示灯

- 四个电量LED指示灯用于指示火鸟300的电量，它们分别对应 25%，50%，75%和100%电量。
- 当您使用火鸟300为其他设备供电时，电量LED指示灯将逐一熄灭以指示剩余电量。
- 当火鸟300的电量低于15%时，最后一颗电量LED指示灯将以2Hz的频率闪烁。
- 当您在为您的火鸟300充电时，其中一颗电量LED指示灯将以闪烁的方式指示当前电量。当您的火鸟300电量完全充满时，所有电量LED指示灯将保持常亮状态。

### 注意

如果电量LED指示灯异常闪烁，表示您的火鸟300需要特别注意。请参阅故障排除章节以获取帮助。

## 为您的火鸟300充电

### 注意

为延长火鸟300的电池寿命，请务必在使用或储存前将其电量完全充满。

### 注意

为缩短火鸟300的充电时间，我们建议您在充电时断开所有负载。

### 充电时间

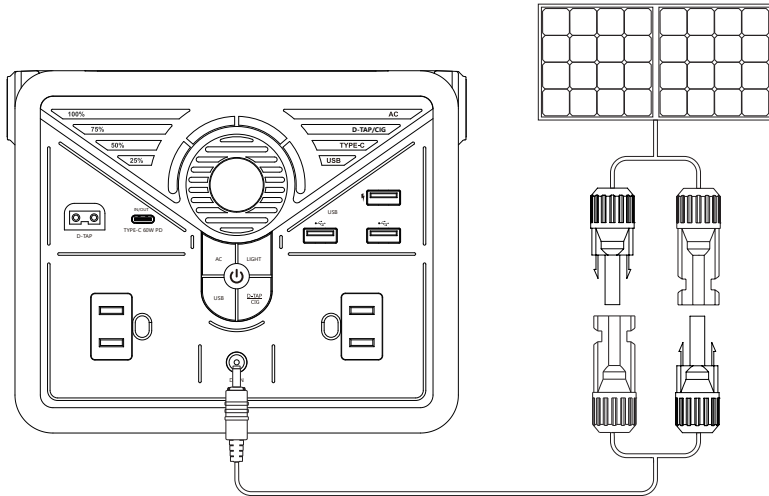
- 通过太阳能充电：8小时
- 通过AC/DC适配器充电：8小时
- 通过USB-C PD壁式充电器充电：6小时
- 通过AC/DC适配器和USB-C PD壁式充电器共同充电：3.5小时

### 注意

上述充电时间基于PHOENIX 300全速充电且没有负载接入的情况。

## 通过太阳能充电

- 为获得最佳充电效果，我们强烈建议您在晴朗无云的天气下，使用适配的太阳能组件（单独购买）为火鸟300充电。
- 将太阳能组件放置在阳光直射的地方，避免其被树木或树枝遮挡而减缓充电速度。
- 使用附带的光伏连接器转5.5mm DC充电线将太阳能组件连接至火鸟300的DC输入接口，并将您的火鸟300至于阴凉处以防其过热。
- 火鸟300将自动开始充电，电量LED指示灯也将逐一点亮。



### 适配的太阳能组件:

- Renogy 单晶太阳能组件：50W, 80W, 100W
- Renogy 多晶太阳能组件：50W, 100W
- Renogy ECLIPSE系列太阳能组件：100W
- Renogy 单晶折叠式太阳能手提箱不带控制器：100W
- Renogy ECLIPSE系列折叠式太阳能手提箱不带控制器：100W
- Renogy 柔性太阳能组件：50W, 100W
- Renogy E.FLEX系列便携式太阳能充电板：50W

### 警告

如果光伏连接器转5.5mm DC充电线损坏或磨损，可能会引发触电。请勿使用损坏或磨损的线材为您的火鸟300充电。

### 注意

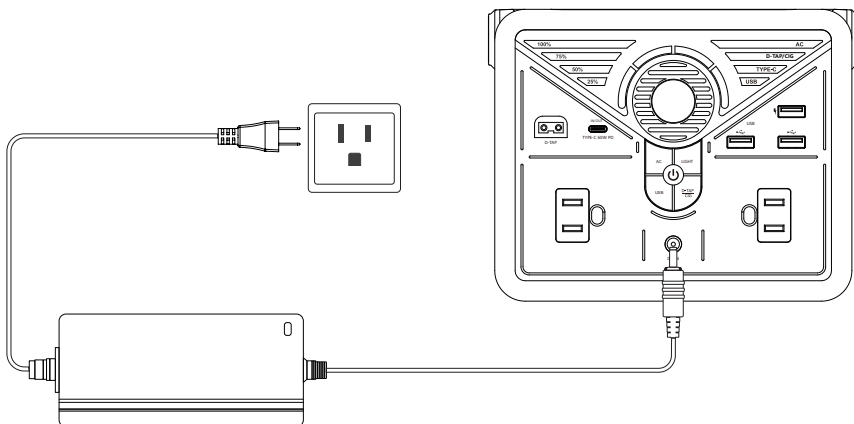
请确保太阳能组件的开路电压不高于25V且不低于12V。

### 提示

火鸟300通过太阳能充电所需的时间取决于光照强度和环境温度。

## 通过AC/DC适配器充电

- 使用附带的AC/DC适配器将火鸟300的DC输入接口连接至插座。
- 火鸟300将自动开始充电，电量LED指示灯也将逐一点亮。

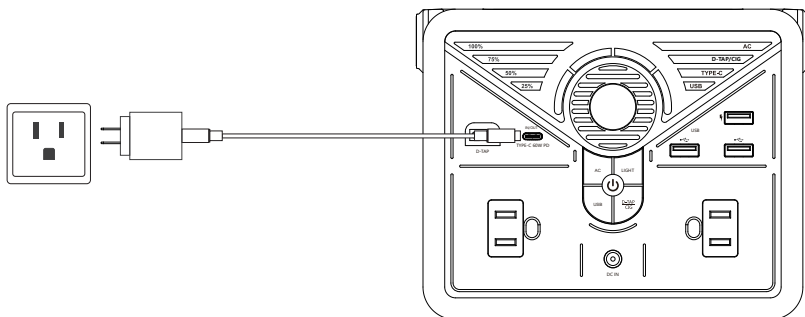


### 警告

如果AC/DC适配器的电源线损坏或磨损，可能会引发触电。请勿使用损坏或磨损的线材为您的火鸟300充电。

## 通过USB-C PD壁式充电器充电

- 使用附带的USB-A转USB-C充电线或USB-C转USB-C充电线将火鸟300的USB-C PD接口连接至USB壁式充电器（单独购买），并将USB壁式充电器插入插座。
- 火鸟300将自动开始充电，电量LED指示灯也将逐一点亮。
- 火鸟300可通过USB-C壁式充电器或USB-A壁式充电器进行充电。但是，为了获得理想的充电效果，我们强烈建议您使用大功率USB-C PD壁式充电器（单独购买）为您的火鸟300充电。



### 推荐的USB壁式充电器:

- Apple USB-C电源适配器：30W，61W，87W，96W
- Google USB-C电源适配器：45W

#### 警告

如果USB壁式充电器损坏，可能会引发触电。请勿使用损坏的USB壁式充电器为您的火鸟300充电。

## 使用您的火鸟300

#### 注意

在高于104°F（40°C）的高温下，或在低于32°F（0°C）的低温下使用您的火鸟300会导致电池性能下降和使用寿命缩短。为获得最佳电池性能和最长电池寿命，我们强烈建议您在室温下使用您的火鸟300。

### 运行时间

#### • 电池供电的设备:

$$\text{充电次数} = \frac{67,392\text{mAh} \times 0.95}{\text{设备的电池容量 (mAh)}}$$

#### • 直流电供电的设备:

$$\text{工作时间} = \frac{324\text{Wh} \times 0.95}{\text{设备的额定功率 (W)}}$$

#### • 交流电供电的设备:

$$\text{工作时间} = \frac{324\text{Wh} \times 0.85}{\text{设备的额定功率 (W)}}$$

#### 提示

上述估算公式仅适用于火鸟300完全充满且输出功率不太大的情况。

#### 提示

实际的充电次数和工作时间可能因不同的供电方式和设备运行状况而异。

## 为您的设备供电

- 四个接口状态LED指示灯分别指示AC插座，D-Tap接口和CIG接口，USB-C PD接口以及QC USB-A接口和USB-A接口的状态。
- 当需要使用AC插座，D-Tap接口和CIG接口时，首先按下相应的接口开关打开接口，相应的接口状态LED指示灯将会点亮。然后，将您的设备连接至接口进行供电。当不需要使用接口时，长按相应的接口开关关闭接口，相应的接口状态LED指示灯也将熄灭。
- 当需要使用USB-A接口和QC USB-A接口时，将您的设备直接连接至接口。火鸟300将会自动开始为您的设备供电，相应的接口状态LED指示灯也将点亮。当不需要使用接口时，长按相应的接口开关关闭接口，相应的接口状态LED指示灯也将熄灭。
- 当需要使用USB-C PD接口时，将您的设备直接连接至接口。火鸟300将会自动开始为您的设备供电，相应的接口状态LED指示灯也将点亮。当不需要使用接口时，断开设备与端口的连接，相应的接口状态LED指示灯也将熄灭。
- 当没有设备接入火鸟300时，请按下总电源开关将其关闭以节省电量。
- 当火鸟300的电量低于10%时，AC插座将被禁用。请使用直流输出继续为您的设备供电。
- 当电池电压过低时，所有输出都将被自动切断。请参阅故障排除章节以获得更多详细信息。

## 适配的设备：

- USB-A接口/ QC USB-A接口：智能手表，电子书，智能手机，平板电脑，运动相机，数码相机，蓝牙音箱，无线耳机，无人机和其它支持USB的设备。
- USB-C PD接口: 智能手机，平板电脑，笔记本电脑，任天堂Switch，数码单反相机和其它支持USB-C的设备。
- CIG接口: 便携冰箱，车载吸尘器，车载风扇，睡眠呼吸机和其它车载设备。
- D-Tap接口: 数码单反相机，摄录一体机，数字电影摄像机，LED补光灯和其它摄影或摄像设备。
- AC 插座: 笔记本电脑，显示器，电视，游戏主机，喷墨打印机，便携投影仪，电灯和其它交流电供电的设备。

**警告**

火鸟300总共能够提供高达300W的持续输出。请合理分配输出并遵循各个输出接口的规格，请勿过载使用火鸟300。

**注意**

当火鸟300满载输出时，可能会触发电池高温保护。如果遇到该情况，请待本机冷却至室温后再继续使用。请参阅故障排除章节以获得更多详细信息。

**注意**

当使用火鸟300的AC插座时，请保证本机的两侧留有至少4英寸（10厘米）的空间，以确保逆变器的有效散热。

**注意**

如果接口状态LED指示灯异常闪烁，表示您的火鸟300需要特别注意。请参阅故障排除章节以获取帮助。

**提示**

火鸟300可能无法适配某些需要瞬间大电流的设备，即使它们的额定功率没有超出输出接口的功率限制。

**提示**

当火鸟300为大功耗设备供电时，电量可能会迅速减少。在这种情况下，您可能无法获得337Wh的电能。

**提示**

火鸟300可以在充电的同时为您的设备提供直流输出，但是交流输出将会被禁用。

## 使用LED照明灯

- 折叠式提手两侧的LED照明灯有4种照明模式：高亮（100%亮度），低亮（50%亮度），频闪和SOS。
- 按下照明灯开关打开LED照明灯，切换照明模式和关闭LED照明灯。无论LED照明灯处在何种照明模式下，您都可以长按照明灯开关直接将其关闭。

## 维护

- 为延长火鸟300的使用寿命，请使其远离强烈的阳光，水，灰尘和污垢。请勿将其放置于恶劣的室外环境下。
- 如有可能，请在不使用火鸟300的时候将其连接到电源进行充电。避免在低电量的时候使用火鸟300为大负载供电。
- 为了保证电池的健康，请至少每两个月为火鸟300充一次电。
- 如果您不经常使用您的火鸟300，我们强烈建议您将其电量保持在50%左右，并储存在干净，干燥，通风的环境下，储存温度以77°F（25°C）为宜，储存湿度不得高于75%。
- 请使您的火鸟300远离腐蚀性，火源和热源。

## 故障排除

- 如果火鸟300无法正常使用，请参阅下表了解可能的原因。
- 如果下列故障排除解决方案不起作用，请与我们联系以获取帮助。联系方式请参阅用户指南的最后一页。

LED指示灯	可能原因	解决方案
所有电量LED指示灯以2Hz的频率闪烁	<ol style="list-style-type: none"> <li>1. DC输入接口过压保护</li> <li>2. DC输入接口欠压保护</li> </ol>	<ol style="list-style-type: none"> <li>1. 断开所有连接。</li> <li>2. 如果电源的额定电压不在12~25V范围内，请停止使用该电源通过DC输入接口为本机充电。</li> <li>3. 将本机连接至符合DC输入接口规格的电源，本机将自动继续充电。</li> </ol>
所有电量LED指示灯和所有接口状态指示灯以2Hz的频率闪烁	<ol style="list-style-type: none"> <li>1. 电池高温保护</li> <li>2. 电池低温保护</li> </ol>	<ol style="list-style-type: none"> <li>1. 断开所有连接。</li> <li>2. 待本机冷却或回暖至室温。</li> <li>3. 如果本机此前正在为负载供电，请按下接口开关重新打开输出接口，并将负载重新连接至本机。</li> <li>4. 如果本机此前正在充电，请将本机重新连接至电源，本机将会自动继续充电。</li> </ol>
最后一颗电量LED指示灯以2Hz的频率闪烁，随后本机被自动关闭。	<ol style="list-style-type: none"> <li>1. 电池低压保护</li> </ol>	<ol style="list-style-type: none"> <li>1. 断开所有输出连接。</li> <li>2. 按下接口开关。</li> <li>3. 如果输出接口能够被打开，表明负载功率过大，拉低了电池电压。在这种情况下，请避免将大负载接入本机。</li> </ol>

		<ol style="list-style-type: none"> <li>4. 如果所有输出接口都无法打开，表明本机电量过低，不应该再为负载供电。在这种情况下，请尽快为本机充电，以免对电池造成永久损伤。</li> </ol>
所有电量LED指示灯和USB-A接口以及QC USB-A接口的接口状态指示灯以2Hz的频率闪烁	<ol style="list-style-type: none"> <li>1. USB-A接口或QC USB-A接口过流保护</li> <li>2. USB-A接口或 QC USB-A接口短路保护</li> </ol>	<ol style="list-style-type: none"> <li>1. 断开USB-A接口和QC USB-A接口的连接。</li> <li>2. 如果USB-A接口或QC USB-A接口发生短路，请立刻移除短路。</li> <li>3. 如果负载消耗的电流大于USB-A接口或QC USB-A接口规格规定的峰值电流，请停止通过USB-A接口或QC USB-A接口为该负载供电。</li> <li>4. 只将符合USB-A接口和QC USB-A接口规格的负载连接至本机。</li> </ol>
所有电量LED指示灯和D-Tap接口以及CIG接口的接口状态指示灯以2Hz的频率闪烁	<ol style="list-style-type: none"> <li>1. D-Tap接口或CIG接口过流保护</li> <li>2. D-Tap接口或 CIG接口短路保护</li> </ol>	<ol style="list-style-type: none"> <li>1. 断开D-Tap接口和CIG接口</li> <li>2. 如果D-Tap接口或CIG接口发生短路，请立刻移除短路。</li> <li>3. 如果负载消耗的电流大于D-Tap接口或CIG接口规格规定的峰值电流，请停止通过D-Tap接口或CIG接口为该负载供电。</li> <li>4. 按下接口开关重新打开D-Tap接口和CIG接口，并只将符合D-Tap接口和CIG接口规格的负载连接至本机。</li> </ol>



<p>所有电量LED指示灯和USB-C PD接口的接口状态指示灯以2Hz的频率闪烁</p>	<ol style="list-style-type: none"> <li>1. USB-C PD接口过流保护</li> <li>2. USB-C PD接口短路保护</li> </ol>	<ol style="list-style-type: none"> <li>1. 断开USB-C PD接口的连接。</li> <li>2. 如果USB-C PD接口发生短路，请立刻移除短路。</li> <li>3. 如果负载消耗的电流大于USB-C PD接口规格规定的峰值电流，请停止通过USB-C PD接口为该负载供电。</li> <li>4. 只将符合USB-C PD接口规格的负载连接至本机。</li> </ol>
<p>所有电量LED指示灯和AC插座的接口状态指示灯以2Hz的频率闪烁</p>	<ol style="list-style-type: none"> <li>1. AC插座过流保护</li> <li>2. AC插座短路保护</li> <li>3. 逆变器高温保护</li> <li>4. 逆变器欠压保护</li> </ol>	<ol style="list-style-type: none"> <li>1. 断开所有输出连接。</li> <li>2. 如果AC插座发生短路，请立刻移除短路。</li> <li>3. 如果负载消耗的功率大于AC插座规格规定的额定功率，请停止通过AC插座为该负载供电。</li> <li>4. 如果本机长时间在高负载或高温环境下运行，请在继续使用前先待本机冷却至室温。</li> <li>5. 如果本机在低电量状态下通过AC插座为大负载供电，请在继续使用前先为本机充电。</li> <li>6. 按下接口开关重新打开AC插座，并只将符合AC插座规格的负载连接至本机。</li> </ol>
<p>所有电量LED指示灯和所有正在使用的接口的接口状态指示灯以2Hz的频率闪烁</p>	<ol style="list-style-type: none"> <li>1. 总输出过载保护</li> </ol>	<ol style="list-style-type: none"> <li>1. 重新分配输出，确保总输出功率在300W以内。</li> <li>2. 按下接口开关打开必要的必要的输出接口。</li> </ol>

## 常见问题

### 1. 为什么我的火鸟300无法为其他设备供电？

首先，请确保已按下接口开关打开对应的输出接口。然后，请确认本机的电量。如果最后一颗电量指示灯正在闪烁，请立刻为本机充电。最后，请检查接入的设备是否符合输出接口的规格。如果本机仍然无法为您的设备供电，请参阅故障排除章节或联系我们获取帮助。联系方式请参阅用户指南的最后一页。

### 2. 我可以更换火鸟300中的电池组吗？

不，火鸟300中的电池组不可更换。请勿尝试拆解火鸟300并自行更换电池组。这样做可能对本机造成不可逆的损伤，甚至引发电池爆炸。

### 3. 我可以将多台火鸟300连接在一起吗？

不，火鸟300无法相互连接，也无法与其它便携式电源箱连接。如果您正在寻找容量更大的便携式电源箱，请访问我们的官方网站或联系我们以获取更多选择。联系方式请参阅用户指南的最后一页。

### 4. 火鸟300是否防水？

不，火鸟300不防水。请使本机远离湿气。请勿将本机浸入水中或在雨中使用本机，以免引发短路，触电或者火灾。

### 5. 为什么火鸟300的运行时间无法达到预期？

电池的容量是指以0.2C的电流恒流放电测得的容量。当火鸟300在为大功率设备供电时，由于电池内阻的存在，电池会将更多的能量转化为热能，导致可用容量降低。在这种情况下，您可能无法获得337Wh的电能。

## 售后保修

- RENOGY的产品享有自原始购买日期起为期12个月的有限保修。如果您遇到任何问题，请联系我们以获取帮助。联系方式请参阅用户指南的最后一页。
- 我们仅为RENOGY或RENOGY授权的零售店和分销商销售的产品提供售后服务。如果您从其它渠道购买了本机，请联系您的卖家以获取关于退货和保修的详细信息。
- 请在[warranty.renogy.com/support/tickets/new](http://warranty.renogy.com/support/tickets/new) 或您所在地区的相应页面上为您的产品进行注册，以便我们能够与您保持联系，并在出现产品召回情况时与您联系。

# **PHOENIX 300**

# **CENTRAL ELÉCTRICA**

Modelo: R300PHX

 **Guía del Usuario**

## TABLA DE CONTENIDO

INSTRUCCIONES IMPORTANTES DE SEGURIDAD .....	36
CARACTERÍSTICAS .....	37
CONTENIDO DEL PAQUETE .....	37
DESCRIPCIÓN DEL PRODUCTO .....	38
ESPECIFICACIONES .....	39
INDICADORES LED DE NIVEL DE BATERÍA .....	40
RECARGANDO SU PHOENIX 300 .....	40
OPERANDO SU PHOENIX 300 .....	43
MANTENIMIENTO .....	45
SOLUCIÓN DE PROBLEMAS .....	46
PREGUNTAS FRECUENTES .....	50
WARRANTY .....	50

## INSTRUCCIONES IMPORTANTES DE SEGURIDAD

Lea detenidamente la Guía del usuario antes de recargar u operar su PHOENIX 300.

### SÍMBOLOS IMPORTANTES

**ADVERTENCIA**

Indica potencialmente condiciones peligrosas que pueden causar lesiones personales.

**PRECAUCIÓN**

Indica condiciones o prácticas que pueden ocasionar daños a las instalaciones u otro equipo.

**NOTA**

Es importantes que indica procedimientos o funciones para la operación adecuada y segura de las instalaciones y/u otro equipo.

**ADVERTENCIA**

NO sumerja la instalación en agua ni la opere bajo la lluvia, ya que puede causar cortocircuitos, descargas eléctricas y/o incendios.

**ADVERTENCIA**

NO coloque la instalación cerca del fuego y/o la caliente, ya que puede causar daños irreversibles al dispositivo y/o explosión de la batería.

**ADVERTENCIA**

NO sobrecargue de la salida de CA o CC. Verifique las especificaciones de los puertos y dispositivos de salida antes de la operación.

**ADVERTENCIA**

Traten los productos de acuerdo con la legislación local sobre reciclado y medio ambiente.

**ADVERTENCIA**

Cuando no haya conexión al dispositivo, apague el puerto de salida para evitar descargas eléctricas.

**PRECAUCIÓN**

NO desmantelen ni modifique la instalación, esto puede causar daños irreversibles al equipo y anular la garantía.

**PRECAUCIÓN**

NO caiga ni golpee la instalación, ya que puede causar fallas del circuito y ruptura de la carcasa.

**PRECAUCIÓN**

Mantenga la instalación fuera del alcance de los niños pequeños.

**PRECAUCIÓN**

NO coloque la instalación en un ambiente de luz solar directa ni la coloque en situaciones de alta temperatura, ya que puede causar un mal funcionamiento de la instalación o la degradación de los componentes.

**PRECAUCIÓN**

NO exponga la instalación a campos electrostáticos fuertes, campos magnéticos fuertes y/o radiación.

**PRECAUCIÓN**

Verifique la instalación antes de cada vez uso. Si se detectan olores, calor, deformación o cualquier otra anomalía, deje de usar esta máquina.

## CARACTERÍSTICAS

### VELOCIDAD REVOLUCIONARIA

El puerto USB-C de Phoenix 300 utiliza la tecnología de transmisión de energía (PD), que puede permitir la exportación de energía eléctrica de hasta 60W a equipos compatibles. La tecnología de carga rápida (QC) permite la exportación de energía eléctrica de hasta 18W desde el puerto USB-A.

### OPCIONES DE ALIMENTACIÓN MULTIFUNCIONAL

El PHOENIX 300 está equipado con múltiples puertos de salida de uso común que permiten suministrar electricidad a dispositivos esenciales y pequeños electrodomésticos, mientras que el puerto D-Tap está disponible para su equipo de fotografía y videografía.

### ONDA SINUSOIDAL PURA

Produce energía CA limpia, silenciosa y estable de hasta 200 W con el inversor de onda sinusoidal pura para suministrar dispositivos electrónicos delicados de manera eficiente y segura.

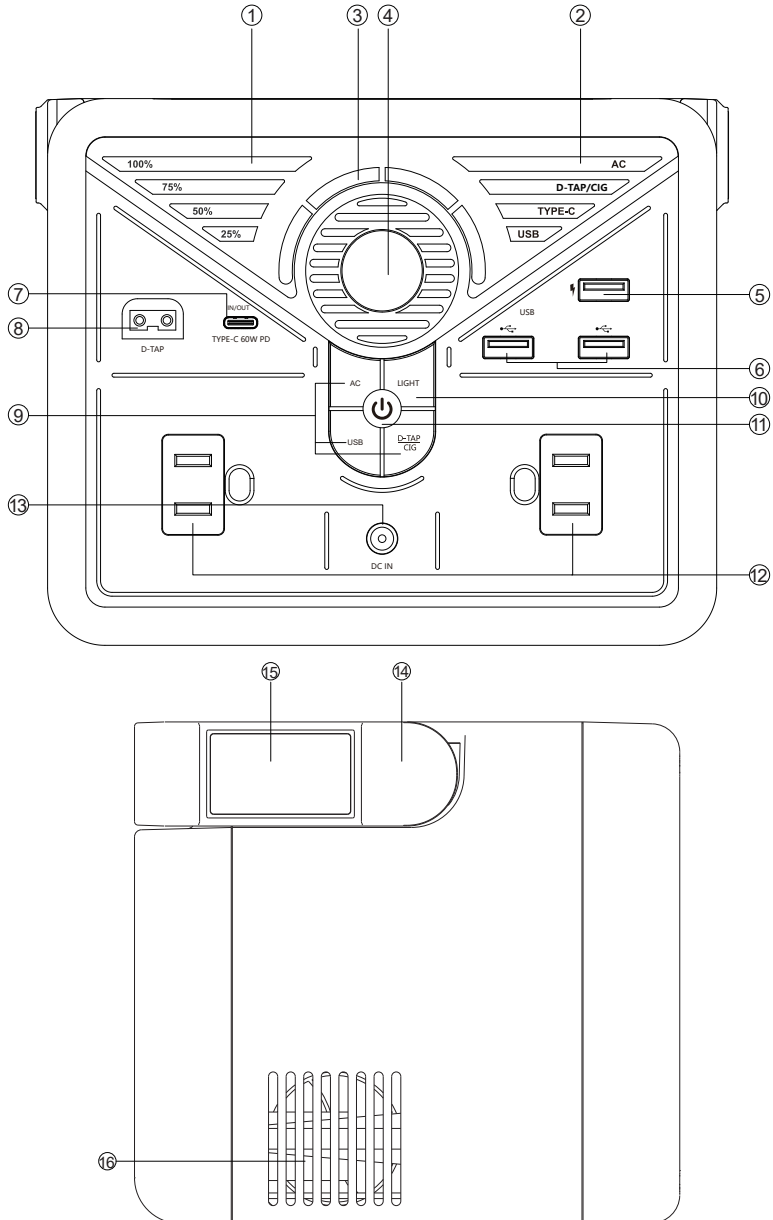
### MÁXIMA SEGURIDAD

El sistema de gestión de la batería (BMS) ordena el control de voltaje, el control de temperatura, la protección contra cortocircuitos y la protección contra sobrecorriente para mantener la central eléctrica y sus dispositivos a salvo de daños.

## CONTENIDO DEL PAQUETE

- 1 x Renogy PHOENIX 300 central eléctrica
- 1 x Cable USB-A a USB-C
- 1 x Cable USB-C a USB-C
- 1 x Cable adaptador conectores del panel solar a 5.5mm CC
- 1 x Adaptador de CA/CC
- 1 x Guía del usuario

## DESCRIPCIÓN DEL PRODUCTO



- ① Indicadores LED de nivel de batería
- ② Indicadores LED de estado de puerto
- ③ Indicadores LED de estado de la linterna
- ④ Puerto CIG
- ⑤ Puerto QC USB-A
- ⑥ Puerto USB-A
- ⑦ Puerto USB-C PD
- ⑧ Puerto D-Tap
- ⑨ Botones de encendido/apagado de puerto
- ⑩ Botón de encendido/apagado de la linterna
- ⑪ Botón de encendido principal
- ⑫ Tomacorrientes CA
- ⑬ Puerto de entrada CC
- ⑭ Asa de transporte plegable
- ⑮ Linterna LED
- ⑯ Ventilación de aire

## ESPECIFICACIONES

<b>General</b>	
Dimensión	181 x 155 x 143 mm / 7.1 x 6.1 x 5.6 in.
Peso	2.9 kg / 6.4 lb.
Material	PC + ABS
Linterna	2 x 1.6W LED
Temperatura de funcionamiento normal	0-40 °C / 32-104 °F
Temperatura almacenamiento	0-45 °C / 32-113 °F
Humedad de operación/almacenamiento	45-95%
Certificaciones	FCC, CE, PSE, RoSH
<b>Batería</b>	
Tipo	Lithium-ion Batería
Voltaje	14.4V
Capacidad	23400mAh / 337Wh
Ciclo de vida	1000 Ciclos al 80% de Capacidad
<b>Entrada</b>	
Puerto de entrada CC	12-25V, 50W Max
Puerto USB-C PD	5-20V, 60W Max
Total	110W Max
<b>Salida</b>	
Puerto QC USB-A	3.6-6V / 3A, 6.5-9V / 2A, 9-12V / 1.5A, 18W Max
Puerto USB-A (2)	5V / 2.4A Cada, 3.4A Total Max
Puerto USB-C PD	5-20V, 60W Max



Puerto CIG	11-17V / 10A Max
Puerto D-Tap	11-17V / 10A Max
Tomacorrientes CA (2)	110V / 60Hz (US, JP, CA) 220V / 50Hz (AU, EU, CN) 200W Nominal, 350W Oleada Onda Sinusoidal Pura
Salida continua total	300W Max

## INDICADORES LED DE NIVEL DE BATERÍA

- Cuatro Indicadores LED de nivel de batería indican el nivel de batería del PHOENIX 300, con una capacidad aproximada del 25% - 50% - 75% - 100%.
- Cuando utilice su PHOENIX 300 para suministrar electricidad a otros dispositivos, los Indicadores LED de nivel de batería se apagarán uno por uno para indicar la capacidad residual de la batería.
- Cuando el nivel de batería de PHOENIX 300 es menos del 15%, el último Indicador LED de nivel de batería parpadearán dos veces por segundo.
- Cuando recargar su PHOENIX 300, uno de los Indicadores LED de nivel de batería parpadeará. El LED parpadeante indica el nivel actual de batería de la instalación. Una vez que su PHOENIX 300 esté completamente recargado, todos los Indicadores LED de nivel de batería se encenderán y permanecerán encendidos.

### PRECAUCIÓN

Si los Indicadores LED de nivel de batería parpadean de forma anormal, su PHOENIX 300 puede necesitar atención especialmente. Consulte la sección SOLUCIÓN DE PROBLEMAS para obtener ayuda.

## RECARGANDO SU PHOENIX 300

### PRECAUCIÓN

Para prolongar a lo máximo de la vida útil de la batería, asegúrese de recargar completamente su PHOENIX 300 antes de operar o almacenar.

### NOTA

Para acortar el tiempo de recarga de la PHOENIX 300, se recomienda desconectar todas las cargas mientras se recarga la instalación.

### Tiempo de recarga

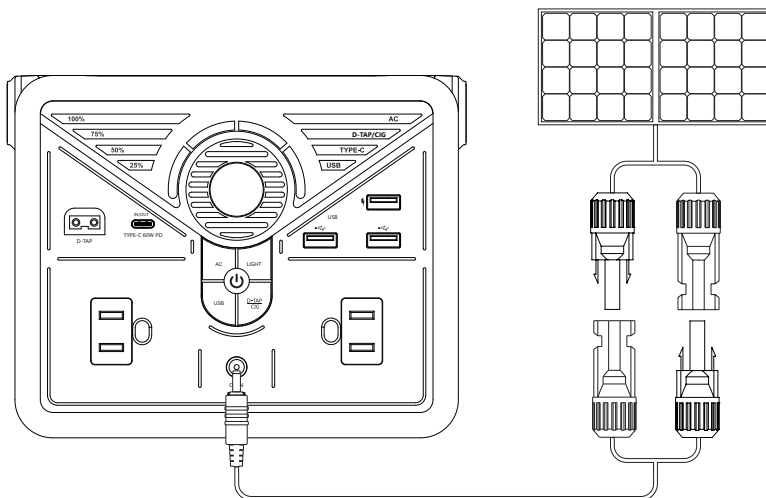
- **Recarga a través de solar:** 8 Horas
- **Recarga a través del adaptador de CA/CC:** 8 Horas
- **Recarga a través del cargador de pared USB-C PD:** 6 Horas
- **Recarga a través del adaptador de CA/CC y del cargador de pared USB-C PD:** 3.5 Horas

**NOTA**

Los tiempos de recarga anteriores se basan en las condiciones en las que el PHOENIX 300 se recarga a toda velocidad sin cargas conectadas a él.

**Recarga a través de solar**

- Para obtener el mejor rendimiento de carga posible, se recomienda encarecidamente que utilice paneles solares compatibles (no incluido) para recargar PHOENIX 300 en días soleados y brillantes sin nubes dispersas.
- Coloque los paneles solares bajo la luz del sol. Manténgase alejado de los árboles o ramas que pueden cubrir los paneles solares, se desacelera el proceso de recarga.
- Utilice el Cable adaptador conectores del panel solar a 5.5mm CC incluido para conectar el panel solar al Puerto de entrada CC de su PHOENIX 300 y coloque su PHOENIX 300 en la sombra para evitar que se sobrecaliente.
- El PHOENIX 300 comenzará a recargarse automáticamente y uno de los Indicadores LED de nivel de batería parpadeará. El LED parpadearante indica el nivel actual de batería de la instalación.

**Paneles solares compatibles:**

- Renogy panel solar monocristalino: 50W, 80W, 100W,
- Renogy panel solar policristalino: 50W, 100W
- Renogy panel solar serie ECLIPSE: 100W
- Renogy maleta solar plegable monocristalina sin controlador: 100W
- Renogy maleta solar plegable serie ECLIPSE sin controlador: 100W
- Renogy panel solar flexible: 50W, 100W
- Renogy panel solar portátil serie E.FLEX: 50W

**ADVERTENCIA**

Se puede producir una descarga eléctrica si el Cable adaptador conectores del panel solar a 5.5mm CC está dañado o deshilachado. NO use el cable dañado o deshilachado para recargar su PHOENIX 300.

**PRECAUCIÓN**

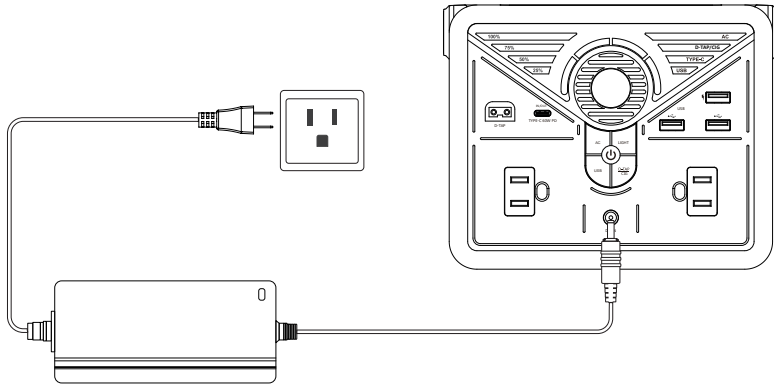
Asegúrese de que los paneles solares no tengan un voltaje de apertura superior a 25V o inferior a 12V.

**NOTA**

El tiempo de recarga del sol depende en gran medida de la radiación solar y la temperatura ambiente.

**Recarga a través del adaptador de CA/CC**

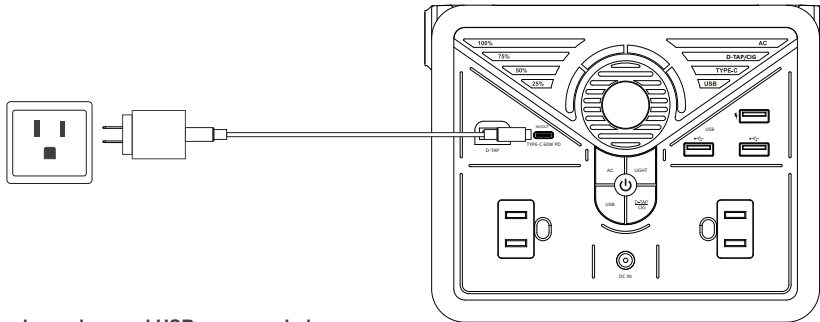
- Conecte su PHOENIX 300 a una toma de corriente a través del Puerto de entrada CC con el Adaptador de CA/CC incluido.
- El PHOENIX 300 comenzará a recargarse automáticamente y uno de los Indicadores LED de nivel de batería parpadeará. El LED parpadeante indica el nivel actual de batería de la instalación.

**ADVERTENCIA**

Se puede producir una descarga eléctrica si el cable del Adaptador de CA/CC está dañada. NO use el cable dañado o deshilachado para recargar su PHOENIX 300.

**Recarga a través del cargador de pared USB-C PD**

- Conecte el Puerto USB-C PD de su PHOENIX 300 a un cargador de pared USB (no incluido) usando el Cable USB-A a USB-C o el Cable USB-C a USB-C incluido y conecte el cargador de pared USB a un tomacorriente de pared.
- El PHOENIX 300 comenzará a recargarse automáticamente y uno de los Indicadores LED de nivel de batería parpadeará. El LED parpadeante indica el nivel actual de batería de la instalación.
- El PHOENIX 300 está diseñado para recargarse mediante un cargador de pared USB-C o un cargador de pared USB-A. Sin embargo, para un rendimiento de recarga óptimo, se recomienda encarecidamente recargar su PHOENIX 300 con un cargador de pared USB-C PD (no incluido) con una potencia nominal alta.



**Cargadores de pared USB recomendados:**

- **Adaptador de corriente USB-C de Apple:** 30W, 61W, 87W, 96W
- **Adaptador de corriente USB-C de Google:** 45W

**ADVERTENCIA**

Si el cargador de paredes USB está dañado, pueden producirse descargas eléctricas. No se carguen Phoenix 300 con cargadores de paredes USB dañados.

**OPERANDO SU PHOENIX 300**

**PRECAUCIÓN**

El funcionamiento de su PHOENIX 300 a temperatura superiores a 104°F (40°C) o inferiores a 32°F (0°C) puede provocar la degradación del rendimiento de la batería y acortar la vida útil. Para obtener un rendimiento óptimo de la batería y una vida útil máxima de la batería, se recomienda encarecidamente operar su PHOENIX 300 a temperatura ambiente.

**Operación del tiempo**

- **Dispositivos con pilas:**

$$\text{Número de cargas completas} = \frac{67,392\text{mAh} \times 0.95}{\text{La capacidad de la batería del dispositivo (mAh)}}$$

- **Dispositivos alimentados por CC:**

$$\text{Working Hours} = \frac{337\text{Wh} \times 0.95}{\text{La potencia nominal del dispositivo (W)}}$$

- **Dispositivos alimentados por CA:**

$$\text{Working Hours} = \frac{337\text{Wh} \times 0.85}{\text{La potencia nominal del dispositivo (W)}}$$

**NOTA**

Las fórmulas de estimación anteriores solo se aplican cuando el PHOENIX 300 está totalmente cargado y el equipo no consume mucha energía eléctrica.

**NOTA**

El número real de cargas completas y las horas de trabajo pueden variar según los diferentes métodos de alimentación y el estado de funcionamiento del dispositivo.

## Alimentando sus dispositivos

- Cuatro Indicadores LED de estado de puerto muestran respectivamente el estado de los Tomacorrientes CA, el Puerto D-Tap y el Puerto CIG, el Puerto USB-C PD, así como el Puerto QC USB-A y los Puertos USB-A.
- Para usar el Puerto CIG, el Puerto D-Tap y los Tomacorrientes CA, primero presione el correspondiente Botón de encendido/apagado de puerto para encender el puerto. El correspondiente Indicador LED de estado de puerto se iluminará. Luego, conecte su dispositivo al puerto para obtener energía. Cuando no esté usando el puerto, presione prolongadamente el correspondiente Botón de encendido/apagado de puerto para apagarlo y se apagará el correspondiente Indicador LED de estado de puerto.
- Para utilizar los Puertos USB-A y el Puerto QC USB-A, conecte su dispositivo directamente al puerto. El PHOENIX 300 comenzará a alimentar su dispositivo automáticamente con el correspondiente Indicador LED de estado de puerto iluminado. Cuando no esté usando el puerto, presione prolongadamente el correspondiente Botón de encendido/apagado de puerto para apagarlo y se apagará el correspondiente Indicador LED de estado de puerto.
- Para utilizar el Puerto USB-C PD, conecte su dispositivo directamente al puerto. El PHOENIX 300 comenzará a alimentar su dispositivo automáticamente con el correspondiente Indicador LED de estado de puerto iluminado. Cuando no esté usando el puerto, desconecte su dispositivo del puerto y se apagará el correspondiente Indicador LED de estado de puerto.
- Cuando no hay ningún dispositivo conectado al PHOENIX 300, presione el Botón de encendido principal para apagarlo y ahorrar energía.
- Cuando el nivel de batería de PHOENIX 300 es inferior al 10%, el uso de los Tomacorrientes CA se desactivará automáticamente. Utilice salidas de CC para continuar alimentando sus dispositivos.
- Cuando el voltaje de la batería es excesivamente bajo, todas las salidas se cortarán automáticamente. Vea la SOLUCIÓN DE PROBLEMAS para más detalles.

### Dispositivos compatibles:

- **Puertos USB-A / Puerto QC USB-A:** Reloj inteligente, Libro electrónico, Teléfono inteligente, Tableta, Cámara de acción, Cámara digital, Altavoz bluetooth, Auriculares inalámbricos, Drones y otros dispositivos habilitados para USB
- **Puerto USB-C PD:** Teléfono inteligente, Tableta, Computadora portátil, Consola de juegos portátil, Cámara DSLR y otros dispositivos habilitados para USB-C
- **Puerto CIG:** Refrigerador portátil, Aspiradora para automóviles, Ventilador de aire para automóviles, Máquina CPAP y otros dispositivos alimentados por automóviles
- **Puerto D-Tap:** Cámara DSLR, Videocámara, Cámara de cine digital, Luz LED y otros equipos de fotografía o videografía.
- **Tomacorrientes CA:** Computadora portátil, Monitor, TV, Consola de juegos, Impresora de inyección de tinta, Proyector portátil, Bombilla y otros dispositivos alimentados con CA.

**ADVERTENCIA**

El PHOENIX 300 puede proporcionar una salida continua total de hasta 300W. Asigne las salidas racionalmente y siga las especificaciones de cada puerto de salida. NO sobrecargue su PHOENIX 300.

**PRECAUCIÓN**

La protección de alta temperatura de la batería puede activarse cuando el PHOENIX 300 está funcionando a plena carga. Cuando este sea el caso, enfríe la instalación antes de reanudar la operación. Vea la SOLUCIÓN DE PROBLEMAS para más detalles.

**NOTA**

Cuando utilice los Tomacorrientes CA de su PHOENIX 300, debe reservarse un espacio de 4 pulgadas a cada lado de la instalación para asegurar la dispersión efectiva del calor del inversor.

**PRECAUCIÓN**

Si alguno de los Indicadores LED de estado de puerto parpadea de forma anormal, su PHOENIX 300 puede necesitar atención especialmente. Consulte la sección SOLUCIÓN DE PROBLEMAS para obtener ayuda.

**NOTA**

Algunos dispositivos que requieren un impulso de alta corriente pueden no ser compatibles con el PHOENIX 300 a pesar de que no exceden las clasificaciones de potencia de los puertos de salida.

**NOTA**

Cuando el PHOENIX 300 alimenta dispositivos que tienen un alto consumo de energía, el nivel de la batería puede caer rápidamente. En este caso, es posible que no obtenga exactamente 337Wh de energía.

**NOTA**

El PHOENIX 300 se puede recargar y suministrar energía de CC a sus dispositivos simultáneamente. Sin embargo, la alimentación de CA no está disponible cuando se recarga el PHOENIX 300.

**Usando la linterna LED**

- Las Linternas LED en ambos lados del Asa de transporte plegable tienen cuatro modos de luz: brillante (100% de brillo), tenue (50% de brillo), intermitente y SOS.
- Pulse el Botón de encendido/apagado de la linterna para encender las Linternas LED, cambiar los modos de luz y apagar las Linternas LED. También puede mantener presionado el Botón de encendido/apagado de la linterna para apagar las Linternas LED sin importar en qué modo se encuentren.

**MANTENIMIENTO**

- Para prolongar la vida útil del PHOENIX 300, manténgase alejado de la luz solar intensa, el agua, el polvo y la suciedad. NO deje su PHOENIX 300 afuera en ambientes hostiles.
- En la medida de lo posible, mantenga su PHOENIX 300 conectado a una fuente de alimentación cuando no se esté utilizando y evite utilizar cargas grandes cuando el nivel de la batería sea bajo.
- Para mantener la salud de la batería, recargue su PHOENIX 300 cada dos meses como mínimo.

- Si no tiene la intención de utilizar el PHOENIX 300 con frecuencia, se recomienda encarecidamente que la batería se mantenga en un 50% aproximadamente y se mantenga en un ambiente limpio, seco y bien ventilado, a una temperatura aproximada de 77°F (25°C) con una humedad no superior al 75%.
- Aleja tu PHOENIX 300 de los corrosivos, los incendios y el calor.

## SOLUCIÓN DE PROBLEMAS

- Si su PHOENIX 300 no funciona normalmente, lee la siguiente tabla para obtener una posible causa y solución.
- Si las siguientes soluciones de solución de problemas no funcionan, contáctenos para obtener ayuda. Lee la última página de la Guía del usuario para obtener información de contacto.

Indicadores LED	Posibles causas	Solución
<p>Todos los Indicadores LED de nivel de batería parpadean dos veces por segundo</p>	<ol style="list-style-type: none"> <li>1. Protección de sobrevoltaje del Puerto de entrada CC</li> <li>2. Protección de subtensión del Puerto de entrada CC</li> </ol>	<ol style="list-style-type: none"> <li>1. Eliminar todas las conexiones.</li> <li>2. Si la clasificación de voltaje de la fuente de energía no cae en el rango de 12~25V, deje de usar esa fuente de energía para recargar la instalación a través del Puerto de entrada CC.</li> <li>3. Conecte la instalación a la fuente de alimentación que cumpla con las especificaciones del Puerto de entrada CC y la instalación reanudará la recarga automáticamente.</li> </ol>
<p>Todos los Indicadores LED de nivel de batería y los Indicadores LED de estado de puerto parpadean dos veces por segundo</p>	<ol style="list-style-type: none"> <li>1. Protección de alta temperatura de la batería</li> <li>2. Protección de baja temperatura de la batería</li> </ol>	<ol style="list-style-type: none"> <li>1. Eliminar todas las conexiones.</li> <li>2. Enfríe o caliente la instalación a la temperatura ambiente.</li> <li>3. Si la instalación estaba alimentando cargas, presione los Botones de encendido/a-pagado de puerto para encender los puertos de salida nuevamente y reconecte las cargas a la instalación.</li> </ol>

		<ol style="list-style-type: none"> <li>4. Si la instalación se estaba recargando, vuelva a conectar la instalación a la fuente de alimentación y la instalación reanudará la recarga.</li> </ol>
<p>El último Indicador LED de nivel de batería parpadea dos veces por segundo y la instalación se apaga después</p>	<ol style="list-style-type: none"> <li>1. Protección de bajo voltaje de la batería</li> </ol>	<ol style="list-style-type: none"> <li>1. Eliminar todas las conexiones de salida.</li> <li>2. Presione los Botones de encendido/apagado de puerto.</li> <li>3. Si los puertos de salida se pueden encender, significa que las cargas consumieron demasiada energía de la instalación y redujeron el voltaje de la batería. En este caso, solo conecte cargas pequeñas a la instalación.</li> <li>4. Si ninguno de los puertos de salida se puede encender, significa que la instalación no debe continuar alimentando cargas. En este caso, recargue la instalación lo antes posible para evitar daños permanentes en la batería.</li> </ol>
<p>Todos los Indicadores LED de nivel de batería y el Indicador LED de estado de puerto de los Puertos USB-A y el Puerto QC USB-A parpadean dos veces por segundo</p>	<ol style="list-style-type: none"> <li>1. Protección de sobrecorriente de los Puertos USB-A o el Puerto QC USB-A</li> <li>2. Protección contra cortocircuitos de los Puertos USB-A o el Puerto QC USB-A</li> </ol>	<ol style="list-style-type: none"> <li>1. Elimine las conexiones a los Puertos USB y el Puerto QC USB-A.</li> <li>2. Si los Puertos USB-A o el Puerto QC USB-A estaban en cortocircuito, elimine el cortocircuito inmediatamente.</li> <li>3. Si las cargas generaron corrientes que exceden las especificaciones de los Puertos USB-A o el Puerto QC USB-A, deje de alimentar esas cargas a través de los Puertos USB-A o el Puerto QC USB-A.</li> </ol>



		<p>4. Conecte solo las cargas que cumplan con las especificaciones de los Puertos USB-A y el Puerto QC USB-A a la instalación.</p>
<p>Todos los Indicadores LED de nivel de batería y el Indicador LED de estado de puerto del Puerto D-Tap y el Puerto CIG parpadean dos veces por segundo</p>	<ol style="list-style-type: none"> <li>1. Protección de sobrecorriente del Puerto D-Tap o el Puerto CIG</li> <li>2. Protección contra cortocircuitos del Puerto D-Tap o el Puerto CIG</li> </ol>	<ol style="list-style-type: none"> <li>1. Elimine la conexión a el Puerto D-Tap y el Puerto CIG</li> <li>2. Si el Puerto D-Tap o el Puerto CIG estaban en cortocircuito, elimine el cortocircuito inmediatamente.</li> <li>3. Si las cargas generaron corrientes que exceden las especificaciones del Puerto D-Tap o el Puerto CIG, deje de alimentar esas cargas a través del Puerto D-Tap o el Puerto CIG.</li> <li>4. Presione el Botón de encendido/apagado de puerto para encender el Puerto D-Tap y el Puerto CIG nuevamente y conecte solo las cargas que se ajusten a las especificaciones del Puerto D-Tap y el Puerto CIG a la instalación.</li> </ol>
<p>Todos los Indicadores LED de nivel de batería y el Indicador LED de estado de puerto del Puerto USB-C PD parpadean dos veces por segundo</p>	<ol style="list-style-type: none"> <li>1. Protección de sobrecorriente del Puerto USB-C PD</li> <li>2. Protección contra cortocircuitos del Puerto USB-C PD</li> </ol>	<ol style="list-style-type: none"> <li>1. Elimine la conexión a el Puerto USB-C PD.</li> <li>2. Si el Puerto USB-C PD estaban en cortocircuito, elimine el cortocircuito inmediatamente.</li> <li>3. Si las cargas generaron corrientes que exceden las especificaciones del Puerto USB-C PD, deje de alimentar esas cargas a través del Puerto USB-C PD.</li> <li>4. Conecte solo la carga que cumpla con las especificaciones del Puerto USB-C PD a la instalación.</li> </ol>

<p>Todos los Indicadores LED de nivel de batería y el Indicador LED de estado de puerto de los Tomacorrientes CA parpadean dos veces por segundo</p>	<ol style="list-style-type: none"> <li>1. Protección de sobrecorriente los Tomacorrientes CA</li> <li>2. Protección contra cortocircuitos los Tomacorrientes CA</li> <li>3. Protección contra alta temperatura del inversor</li> <li>4. Protección contra subtensión del inversor</li> </ol>	<ol style="list-style-type: none"> <li>1. Elimine todas las conexiones de salida.</li> <li>2. Si los Tomacorrientes CA estaban en cortocircuito, elimine el cortocircuito inmediatamente.</li> <li>3. Si las cargas generaron corrientes que exceden las especificaciones de los Tomacorrientes CA, deje de alimentar esas cargas a través de los Tomacorrientes CA.</li> <li>4. Si la instalación ha estado funcionando a altas cargas o a altas temperaturas durante mucho tiempo, enfríe la instalación a temperatura ambiente.</li> <li>5. Si la instalación estaba alimentando cargas grandes a través de los Tomacorrientes CA con un nivel de batería bajo, recargue la instalación antes de reanudar la operación.</li> <li>6. Presione el Botón de encendido/apagado de puerto para encender los Tomacorrientes CA nuevamente y conecte solo las cargas que se ajusten a las especificaciones de los Tomacorrientes CA a la instalación.</li> </ol>
<p>Todos los Indicadores LED de nivel de batería y los Indicadores LED de estado de puerto de todos los puertos de salida operativos parpadean dos veces por segundo</p>	<ol style="list-style-type: none"> <li>1. Protección de sobrecarga de salida total</li> </ol>	<ol style="list-style-type: none"> <li>1. Reasigne las salidas para mantener la potencia de salida total por debajo de 300W.</li> <li>2. Presione los Botones de encendido/apagado de puerto para encender solo los puertos de salida necesarios.</li> </ol>

## PREGUNTAS FRECUENTES

### 1. ¿Por qué mi PHOENIX 300 no alimenta a otros dispositivos?

Primero, asegúrese de que los puertos de salida se hayan encendido presionando los Botones de encendido/apagado de puerto correspondientes. Luego, verifique el nivel de batería de la instalación. Si el último indicador LED de nivel de batería está parpadeando, recargue la instalación lo antes posible. Finalmente, verifique si el dispositivo conectado cumple con las especificaciones de los puertos de salida. Si la instalación aún no puede alimentar sus dispositivos, consulte la SOLUCIÓN DE PROBLEMAS o contáctenos para obtener ayuda. Consulte la última página de la Guía del usuario para obtener información de contacto.

### 2. ¿Puedo cambiar la batería de mi Phoenix 300?

No, la batería de Phoenix 300 es irremplazable. No intente desmontar su Phoenix 300 y cambiar la batería. Esto podría causar daños irreversibles al dispositivo y la explosión de la batería.

### 3. ¿Es el PHOENIX 300 encadenable?

No, el Phoenix 300 no puede conectarse con otras centrales eléctricas. Si está buscando una fuente de alimentación de CA recargable con mayor capacidad, visite nuestro sitio web oficial o contáctenos para obtener más opciones. La información de contacto puede consultarse en la última página de la Guía del usuario.

### 4. ¿Es impermeable el PHOENIX 300?

No, el PHOENIX 300 no es resistente al agua. Mantenga la instalación lejos de la humedad. No sumerja la instalación en agua ni la opere bajo la lluvia. Hacerlo puede causar cortocircuitos, descargas eléctricas e incendios.

### 5. ¿Por qué la batería de PHOENIX 300 no dura tanto como esperaba?

La capacidad de la batería está clasificada a 0.2C. Cuando el PHOENIX 300 está alimentando dispositivos que tienen un alto consumo de energía, la resistencia interna de la batería convertirá más energía en calor y, como resultado, disminuirá la capacidad de la batería. Cuando este es el caso, es posible que no obtenga exactamente 337Wh de energía.

## WARRANTY

- El período de garantía de los productos de RENOGY era de 12 meses a partir de la fecha de compra original. Si tiene algún problema, llámenos y pida ayuda. La información de contacto puede consultarse en la última página de la Guía del usuario.
- Solo brindamos servicios posventa para productos que vende RENOGY o minoristas y distribuidores autorizados por RENOGY. Si ha comprado su unidad de otros canales, comuníquese con su vendedor para obtener más información sobre devolución y garantía.
- Registre su compra directamente en [warranty.renogy.com/support/tickets/new](https://warranty.renogy.com/support/tickets/new) o en el sitio web correspondiente de su región local, a fin de mantenerse en contacto en caso de que no sea probable que se requiera un retiro seguro.

# **PHOENIX 300**

# **CENTRALE ÉLECTRIQUE**

Modèle: R300PHX

 **Guide des Utilisateurs**

## TABLA DE CONTENIDO

CONSIGNES DE SÉCURITÉ IMPORTANTES .....	53
CARACTÉRISTIQUES .....	54
CONTENU DU COLIS .....	54
PRÉSENTATION DU PRODUIT .....	55
SPÉCIFICATIONS .....	56
INDICATEURS DE NIVEAU DE BATTERIE .....	57
RECHARGE DE VOTRE PHOENIX 300 .....	57
UTILISATION DE VOTRE PHOENIX 300 .....	60
MAINTENANCE .....	62
DÉPANNAGE .....	63
QUESTIONS FRÉQUEMMENT POSÉES .....	66
GARANTIE .....	67

## CONSIGNES DE SÉCURITÉ IMPORTANTES

Veuillez lire soigneusement le guide des utilisateurs avant de recharger ou d'utiliser votre PHOENIX 300.

### SYMBOLES IMPORTANTS

#### ATTENTION

Indique une situation potentiellement dangereuse pouvant entraîner des blessures corporelles

#### MISE EN GARDE

Indique des situations ou des pratiques susceptibles de porter atteinte à l'appareil ou à d'autres équipements

#### REMARQUE

Indique les procédures ou les fonctions importantes pour un fonctionnement correct et sûr de l'appareil et / ou des autres équipements

#### ATTENTION

NE PAS plonger l'appareil dans l'eau ni l'utiliser sous la pluie. Cela pourrait causer des courts-circuits, des décharges électriques ou un incendie.

#### ATTENTION

NE PAS placer l'appareil près d'un feu et / ou le chauffer. Cela pourrait causer des dommages irréversibles à l'unité et/ou une explosion de la batterie.

#### ATTENTION

NE surchargez PAS les sorties CA ou CC. Veuillez vérifier les spécifications des ports de sortie et les spécifications de l'appareil avant utilisation.

#### ATTENTION

Veuillez mettre le produit au rebut conformément aux réglementations locales en vigueur en matière de recyclage et d'environnement.

#### ATTENTION

Veuillez désactiver les ports de sortie quand aucun équipement n'est connecté à l'unité pour éviter les chocs électriques.

#### MISE EN GARDE

NE PAS démonter ou modifier l'appareil. Cela pourrait causer des dommages irréversibles à l'appareil et annuler la garantie.

#### MISE EN GARDE

NE PAS laisser tomber ou frapper l'appareil. Cela pourrait provoquer des pannes de circuit et des fissures dans le boîtier.

#### MISE EN GARDE

Garder l'appareil hors de portée des jeunes enfants.

#### MISE EN GARDE

NE placez PAS l'appareil à la lumière directe du soleil et ne le placez pas dans des environnements soumis à des températures élevées. Cela pourrait entraîner un dysfonctionnement de l'appareil ou la dégradation des composants.

#### MISE EN GARDE

N'exposez PAS l'appareil à des champs électrostatiques puissants, des champs magnétiques puissants et/ou des radiations.

#### MISE EN GARDE

Veuillez vérifier l'appareil avant chaque utilisation. Si vous trouvez une odeur, une chaleur, une déformation ou d'autres anomalies anormales, arrêtez d'utiliser l'appareil.

## CARACTÉRISTIQUES

### VITESSE RÉVOLUTIONNAIRE

Le port USB-C du PHOENIX 300 est doté de la technologie Power Delivery (PD) qui peut pomper jusqu'à 60 W vers des appareils compatibles. La technologie de charge rapide (QC) permet d'obtenir jusqu'à 18 W de puissance de sortie à partir du port USB-A.

### OPTIONS D'ALIMENTATION POLYVALENTES

Le PHOENIX 300 est équipé de plusieurs ports de sortie couramment utilisés pour alimenter des gadgets et petits appareils essentiels, tandis qu'un port D-Tap est prêt pour votre équipement de photographie et de vidéographie.

### ONDE SINUSOÏDALE PURE

Produisez une alimentation AC propre, silencieuse et stable jusqu'à 200W avec l'onduleur sinusoïdal pur pour alimenter efficacement et en toute sécurité les appareils électroniques sensibles.

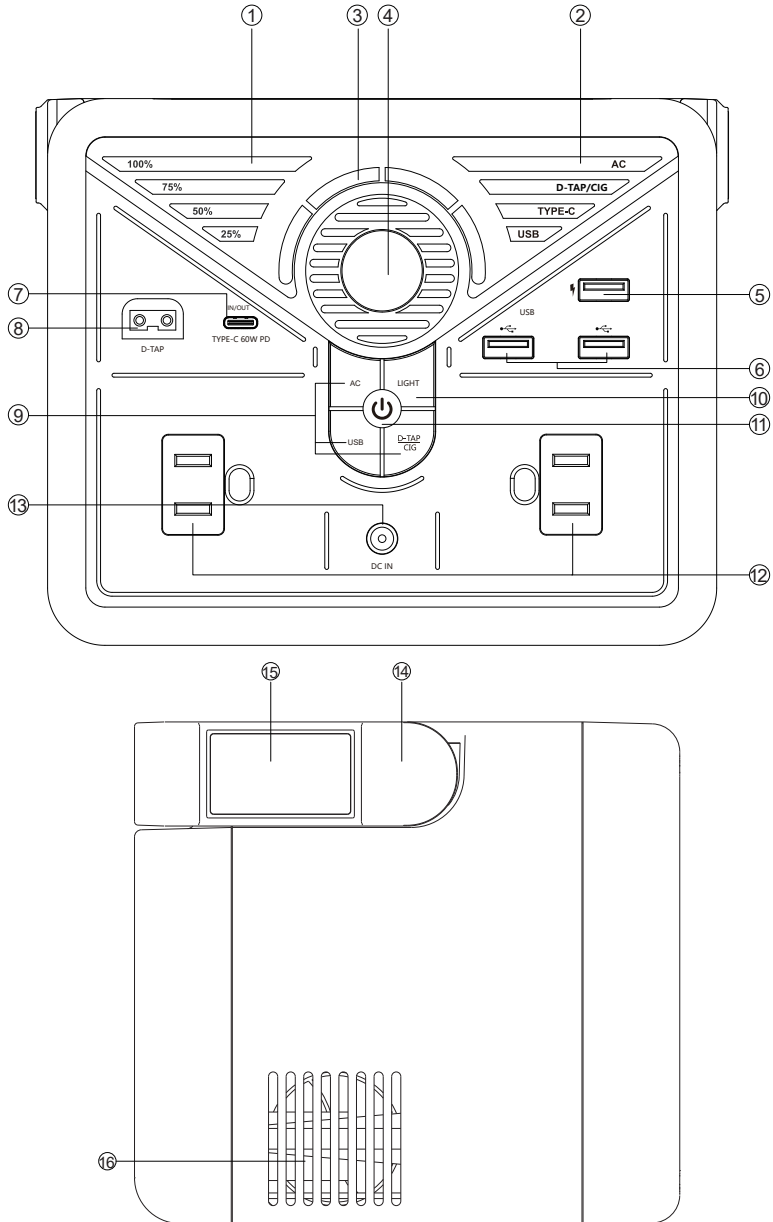
### SÉCURITÉ ULTIME

Le système de gestion de batterie (BMS) commande le contrôle de tension, le contrôle de température, la protection contre les courts-circuits et la protection contre les surintensités pour protéger à la fois la centrale électrique et vos appareils des dommages.

## CONTENU DU COLIS

- 1 x Renogy PHOENIX 300 centrale électrique
- 1 x Câble USB-A à USB-C
- 1 x Câble USB-C à USB-C
- 1 x Câble d'adaptateur connecteurs de panneau solaire à 5,5mm CC
- 1 x Adaptateur CA/CC
- 1 x Guide des utilisateurs

# PRÉSENTATION DU PRODUIT





- ① Indicateur LED de niveau de batterie
- ② Indicateur LED d'état du port
- ③ Indicateur LED d'état de la lampe de poche
- ④ Port CIG
- ⑤ Port QC USB-A
- ⑥ Ports USB-A
- ⑦ Port USB-C PD
- ⑧ Port D-Tap
- ⑨ Boutons allumer/éteindre du port
- ⑩ Bouton allumer/éteindre de la lampe de poche
- ⑪ Bouton d'alimentation principal
- ⑫ Prises de CA
- ⑬ Port d'entrée CC
- ⑭ Poignée de transport pliante
- ⑮ Lampe de poche LED
- ⑯ Buse d'aéragé

## SPÉCIFICATIONS

<b>Général</b>	
Dimension	181 x 155 x 143 mm / 7.1 x 6.1 x 5.6 in.
Poids	2.9 kg / 6.4 lb.
Matériel	PC + ABS
Lampe de poche	2 x 1.6W LED
Température de fonctionnement normale	0-40°C / 32-104°F
Température de stockage	0-45°C / 32-113°F
Humidité de fonctionnement / stockage	45-95%
Certifications	FCC, CE, PSE, RoSH
<b>Batterie</b>	
Type	Batterie aux ions Lithium
Tension	14.4V
Capacité	23400mAh / 337Wh
Cycle de vie utile	1000 Cycles à 80% de la Capacité
<b>Entrée</b>	
Port d'entrée CC	12-25V, 50W Max
Port USB-C PD	5-20V, 60W Max
Total	110W Max
<b>Sortie</b>	
Port QC USB-A	3.6-6V / 3A, 6.5-9V / 2A, 9-12V / 1.5A, 18W Max
Port USB-A (2)	5V / 2.4A Chaque, 3.4A Total Max
Port USB-C PD	5-20V, 60W Max

Port CIG	11-17V / 10A Max
Port D-Tap	11-17V / 10A Max
Prise de CA (2)	110V / 60Hz (US, JP, CA) 220V / 50Hz (AU, EU, CN) 200W Classé, 350W Poussée Onde Sinusoïdale Pure
Sortie totale continue	300W Max

## INDICATEURS DE NIVEAU DE BATTERIE

- Quatre Indicateurs LED de niveau de batterie indiquent le niveau de batterie du PHOENIX 300, d'une capacité d'environ 25% - 50% - 75% - 100%.
- Quand vous utilisez votre PHOENIX 300 pour alimenter d'autres appareils, les Indicateurs LED de niveau de charge de la batterie s'éteignent un par un pour indiquer la capacité restante de la batterie.
- Au moment où le niveau de batterie de PHOENIX 300 est inférieur à 15%, le dernier Indicateur LED de niveau de batterie clignotent deux fois par seconde.
- Lorsque vous rechargez votre PHOENIX 300, l'un des Indicateurs LED de niveau de batterie clignotera. Le voyant clignotant indique le niveau actuel de la batterie de l'appareil. Une fois que votre PHOENIX 300 est bien rechargé, tous les Indicateurs LED de niveau de batterie s'allument et restent allumés.

### MISE EN GARDE

Si les Indicateurs LED de niveau de batterie clignotent de manière anormale, votre PHOENIX 300 a besoin d'une attention particulière. Veuillez vous reporter à la section DÉPANNAGE pour obtenir de l'aide.

## RECHARGE DE VOTRE PHOENIX 300

### MISE EN GARDE

Pour maximiser la durée de vie de la batterie, faites attention à recharger complètement votre PHOENIX 300 avant de l'utiliser ou de le ranger.

### REMARQUE

Pour réduire le temps de recharge de le PHOENIX 300, il vaut mieux déconnecter toutes les charges pendant la recharge de l'appareil.

### Temps de recharge

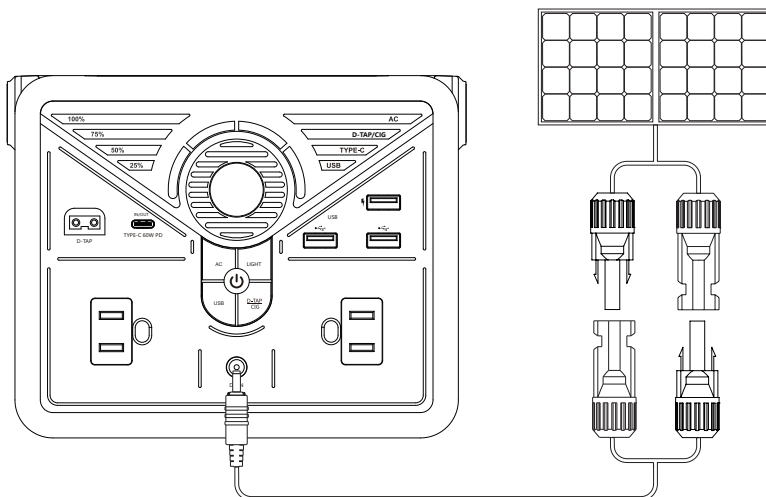
- **Recharge via solaire:** 8 Heures
- **Recharge via l'adaptateur CA/CC:** 8 Heures
- **Recharge via le chargeur mural USB-C PD:** 6 Heures
- **Recharge via l'adaptateur CA/CC et le chargeur mural USB-C PD:** 3.5 Heures

**REMARQUE**

Les temps de recharge ci-dessus sont basés sur les conditions dans lesquelles le PHOENIX 300 est rechargé à pleine vitesse sans charge connectée.

**Recharge via solaire**

- Pour des performances de recharge idéales, il faudrait que vous rechargez votre PHOENIX 300 à l'aide d'un panneau solaire compatible (non fourni) lors des jours ensoleillés et dégagés de nuages disséminés.
- Veuillez placer le panneau solaire sous la lumière directe du soleil. Éloignez-le des arbres ou des branches qui peuvent l'ombrager et ralentir le processus de recharge.
- Veuillez employer le Câble d'adaptateur connecteurs de panneau solaire à 5.5mm CC inclus pour connecter le panneau solaire au Port d'entrée CC de votre PHOENIX 300 et placer votre PHOENIX 300 à l'ombre afin d'éviter toute surchauffe.
- Le PHOENIX 300 commencera à se recharger automatiquement et l'un des Indicateurs LED de niveau de batterie clignotera. Le voyant clignotant marque le niveau actuel de la batterie de l'appareil.

**Panneaux solaires compatibles:**

- Renogy panneau solaire monocristallin: 50W, 80W, 100W
- Renogy panneau solaire polycristallin: 50W, 100W
- Renogy panneau solaire série ECLIPSE: 100W
- Renogy valise solaire pliable monocristalline sans contrôleur: 100W
- Renogy valise solaire pliable série ECLIPSE sans contrôleur: 100W
- Renogy panneau solaire flexible: 50W, 100W
- Renogy panneau solaire portable série E.FLEX: 50W

**ATTENTION**

Si le Câble d'adaptateur connecteurs de panneau solaire à 5.5mm CC est endommagés ou effilochés, un choc électrique peut survenir. N'utilisez PAS un câble endommagé ou effiloché pour recharger votre PHOENIX 300.

**ATTENTION**

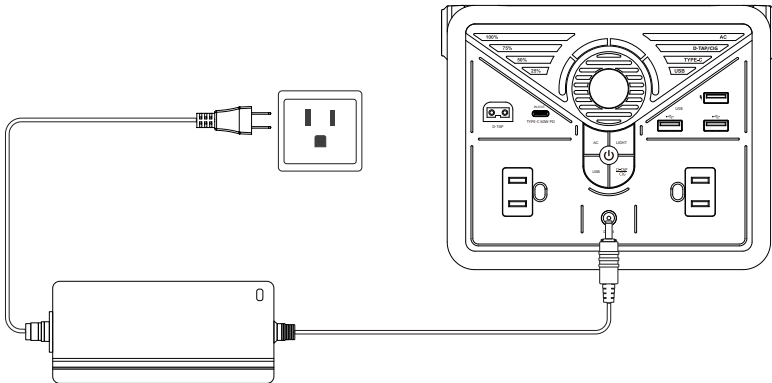
Assurez-vous que la tension de circuit ouvert du panneau solaire ne dépasse pas 25V ou ne dépasse pas 12V.

**REMARQUE**

Le temps de recharge solaire dépend dans une grande mesure de l'irradiance solaire et de la température ambiante.

**Recharge via l'adaptateur CA/CC**

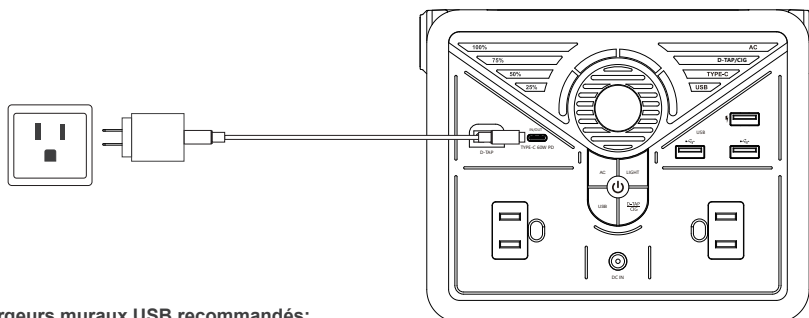
- Veuillez brancher votre PHOENIX 300 sur une prise murale via le Port d'entrée CC à l'aide de l'Adaptateur CA/CC fourni.
- Le PHOENIX 300 commencera à se recharger automatiquement et l'un des Indicateurs LED de niveau de batterie clignotera. Le voyant clignotant marque le niveau actuel de la batterie de l'appareil.

**ATTENTION**

Si le câble d'alimentation de l'Adaptateur CA/CC est endommagé ou effiloché, un choc électrique peut survenir. N'utilisez PAS un câble endommagé ou effiloché pour recharger votre PHOENIX 300.

**Recharge via le chargeur mural USB-C PD**

- Connectez le Port USB-C PD de votre PHOENIX 300 à un chargeur mural USB (non inclus) à l'aide du Câble USB-A à USB-C ou Câble USB-C à USB-C fourni et branchez le chargeur mural USB dans une prise murale.
- Le PHOENIX 300 commencera à se recharger automatiquement et l'un des Indicateurs LED de niveau de batterie clignotera. Le voyant clignotant marque le niveau actuel de la batterie de l'appareil.
- Le PHOENIX 300 est conçu pour être rechargé via un chargeur mural USB-C ou un chargeur mural USB-A. Cependant, pour des performances de recharge optimales, il est fortement recommandé de recharger votre PHOENIX 300 à l'aide d'un chargeur mural USB-C PD (non inclus) de forte puissance.



**Chargeurs muraux USB recommandés:**

- Adaptateur secteur USB-C Apple: 30W, 61W, 87W, 96W
- Adaptateur secteur USB-C Google: 45W

**ATTENTION**

Si le chargeur mural USB est endommagé, un choc électrique peut survenir. N'utilisez PAS un chargeur mural USB endommagé pour recharger votre PHOENIX 300.

**UTILISATION DE VOTRE PHOENIX 300**

**MISE EN GARDE**

L'utilisation de PHOENIX 300 à des températures élevées supérieures à 104°F (40°C) ou à des températures inférieures à 32°F (0°C) peut réduire les performances de la batterie et réduire sa durée de vie. Pour des performances optimales et une durée de vie maximale de la batterie, il est recommandé d'utiliser le PHOENIX 300 à la température ambiante.

**Temps de l'opération**

- Appareils alimentés par batterie:

$$\text{Nombre de charges complètes} = \frac{67,392\text{mAh} \times 0.95}{\text{La capacité de la batterie de l'appareil (mAh)}}$$

- Appareils alimentés en CC:

$$\text{Heures de travail} = \frac{337\text{Wh} \times 0.95}{\text{La puissance nominale de l'appareil (W)}}$$

- Appareils alimentés en CA:

$$\text{Heures de travail} = \frac{337\text{Wh} \times 0.85}{\text{La puissance nominale de l'appareil (W)}}$$

**REMARQUE**

Les formules d'estimation susmentionnées ne s'appliquent que quand le PHOENIX 300 a été bien rechargé et que l'appareil ne consomme pas trop d'énergie.

**REMARQUE**

Le nombre réel de charges complètes et les heures de travail réelles peuvent varier selon les méthodes d'alimentation et l'état de fonctionnement de l'appareil.

## Alimenter vos appareils

- Quatre Indicateur LED d'état du port affichent respectivement l'état des Prises de CA, du Port D-Tap et Port CIG, du port USB-C PD, ainsi que du Port QC USB-A et des Ports USB-A.
- Lorsque vous employez le Port CIG, le Port D-Tap et les Prises de CA, veuillez d'abord appuyer sur le Bouton allumer/éteindre du port correspondant afin d'allumer le port. L'Indicateur LED d'état du port correspondant s'allumera. Ensuite, vous pouvez connecter votre appareil au port d'alimentation. Quand vous n'utilisez pas le port, veuillez appuyer longuement sur le Bouton allumer/éteindre du port correspondant pour l'éteindre et l'Indicateur LED d'état du port correspondant va s'éteindre.
- Vous pouvez connecter directement votre appareil au port pour utiliser les Ports USB-A et le Port QC USB-A. Le PHOENIX 300 commencera à alimenter votre appareil automatiquement quand et l'Indicateur LED d'état du port correspondant s'allume. Lorsque vous n'employez pas le port, appuyez longuement sur le Bouton allumer/éteindre du port correspondant pour l'éteindre et l'Indicateur LED d'état du port correspondant s'éteindra.
- Veuillez connectez directement votre appareil au port pour utiliser le Port USB-C PD. Le PHOENIX 300 commencera à alimenter votre appareil automatiquement lorsque l'Indicateur LED d'état du port correspondant s'allume. Lorsque vous n'utilisez pas le port, déconnectez votre appareil du port et l'Indicateur LED d'état du port correspondant s'éteindra.
- Si aucun appareil n'est connecté au PHOENIX 300, veuillez appuyer sur le Bouton d'alimentation principal pour éteindre appareil afin d'économiser de l'énergie.
- Au moment où le niveau de batterie de PHOENIX 300 est inférieur à 10%, l'utilisation des Prises de CA est automatiquement désactivée. Veuillez utiliser les sorties CC pour continuer d'alimenter vos appareils.
- Quand le voltage de la batterie est trop faible, toutes les sorties sont automatiquement coupées. Veuillez vous reporter à la section DÉPANNAGE pour obtenir de l'aide.

### Appareils compatibles:

- **Ports USB-A / Port QC USB-A:** Montre intelligente, Livre électronique, Téléphone intelligent, Tablette, Caméra d'action, Appareil photo numérique, Haut-parleur bluetooth, Casque sans fil, Drone et autres appareils compatibles USB.
- **Port USB-C PD:** Téléphone intelligent, Tablette, Ordinateur portable, Console de jeu portable, Appareil photo reflex numérique et autres appareils compatibles USB-C.
- **Port CIG:** Réfrigérateur portable, Aspirateur de voiture, Ventilateur d'air de voiture, Machine CPAP et autres équipements alimentés par voiture.
- **Port D-Tap:** Appareil photo reflex numérique, Caméscope, Caméra de cinéma numérique, Éclairage LED et autre appareil de photographie ou de vidéographie.
- **Prises de CA:** Ordinateur portable, Moniteur, Téléviseur, Console de jeu, Imprimante à jet d'encre, Projecteur portable, Ampoule et autres appareils alimentés par CA.

#### ATTENTION

Le PHOENIX 300 fournit en continu jusqu'à 300W de puissance totale. Distribuez correctement la sortie et suivez les spécifications de chaque port de sortie. Ne surchargez pas le PHOENIX 300.

#### MISE EN GARDE

La protection à haute température de la batterie peut survenir lorsque le PHOENIX 300 fonctionne à pleine charge. Dans ce cas, refroidissez l'appareil avant l'opération de récupération. Voyez DÉPANNAGE pour plus d'informations.

#### MISE EN GARDE

Quand vous utilisez les prises de CA de votre PHOENIX 300, laissez un espace de 4 pouces des deux côtés de l'appareil pour assurer une dissipation efficace de la chaleur.

#### MISE EN GARDE

Si les Indicateurs LED d'état du port clignotent de manière anormale, votre PHOENIX 300 a besoin d'une attention particulière. Veuillez vous reporter à la section DÉPANNAGE pour obtenir de l'aide.

#### REMARQUE

Des appareils qui nécessitent une impulsion de courant élevé pourraient ne pas être compatibles avec le PHOENIX 300, même s'ils ne dépassent pas les cotes de puissance des ports de sortie.

#### REMARQUE

Lorsque le PHOENIX 300 alimente des périphériques très consommateurs d'énergie, le niveau de la batterie peut chuter rapidement. Dans ce cas, il se peut que vous n'obteniez pas exactement 337Wh d'énergie.

#### REMARQUE

Le PHOENIX 300 peut être rechargé et pour fournir de l'énergie DC à votre appareil simultanément. Toutefois, l'alimentation AC n'est pas disponible lors de la recharge du PHOENIX 300.

### Utilisation de la lampe de poche LED

- Les Lampes de poche LED des deux côtés de la Poignée de transport pliante ont quatre modes d'éclairage : lumineux (100% de luminosité), obscurité (50% de luminosité), clignotant, et SOS.
- Appuyez sur le Bouton allumer/éteindre de la lampe de poche pour allumer la Lampe de poche LED, changer le mode d'éclairage et éteindre la Lampe de poche LED. Vous pouvez également appuyer longuement sur le Bouton allumer/éteindre de la lampe de poche pour éteindre les Lampes de poche LED, quel que soit leur mode.

## MAINTENANCE

- Pour prolonger la durée de vie du PHOENIX 300, éloignez-le de la lumière du soleil, de l'eau, de la poussière et de la saleté. N'utilisez pas le PHOENIX 300 à l'extérieur dans des environnements difficiles.
- Si possible, veuillez garder votre PHOENIX 300 connecté à une source d'alimentation quand il n'est pas utilisé et empêcher d'utiliser de grandes charges lorsque le niveau de la batterie est faible.
- Veuillez recharger votre PHOENIX 300 au moins une fois tous les deux mois pour maintenir une batterie saine.

- Si vous ne projetez pas d'utiliser votre PHOENIX 300 fréquemment, vous devez maintenir son niveau de batterie à environ 50% et de le placer dans un environnement propre, sec et bien aéré avec des températures autour de 77°F (25°C) et une humidité moins de 75%.
- Gardez votre PHOENIX 300 loin des sources corrosives, du feu et de la chaleur.

## DÉPANNAGE

- Si votre PHOENIX 300 ne marche pas normalement, consultez le tableau ci-après pour une cause et une solution possibles.
- Si les solutions de dépannage suivantes ne fonctionnent pas, contactez-nous pour obtenir de l'aide. Reportez-vous à la dernière page du Guide des utilisateurs pour obtenir les coordonnées.

Indicateurs LED	Causes possibles	Solution
Tous les Indicateurs LED de niveau de batterie clignotent deux fois par seconde	<ol style="list-style-type: none"> <li>1. Protection contre les surtensions du Port d'entrée CC</li> <li>2. Protection contre les sous-tensions du Port d'entrée CC</li> </ol>	<ol style="list-style-type: none"> <li>1. Supprimer toutes les connexions.</li> <li>2. Si la tension nominale de la source d'alimentation n'est pas dans la gamme 12-25V, arrêtez d'utiliser cette source d'énergie pour charger l'appareil à travers le Port d'entrée DC.</li> <li>3. Connectez l'appareil à la source d'alimentation conforme aux spécifications du Port d'entrée CC et l'appareil reprendra la recharge automatiquement.</li> </ol>
Tous les Indicateurs LED de niveau de batterie et les Indicateurs LED d'état du port clignotent deux fois par seconde	<ol style="list-style-type: none"> <li>1. Protection à haute température de la batterie</li> <li>2. Protection à température basse de batterie</li> </ol>	<ol style="list-style-type: none"> <li>1. Supprimer toutes les connexions.</li> <li>2. Refroidir ou réchauffer l'appareil à la température ambiante.</li> <li>3. Si l'appareil alimentait des charges, appuyez sur les Boutons allumer/éteindre du port pour réactiver les ports de sortie et reconnecter les charges à l'appareil.</li> </ol>



		<p>4. Si l'appareil était en cours de recharge, reconnectez l'appareil à la source d'alimentation et l'appareil reprendra la recharge.</p>
<p>Le dernier Indicateur LED de niveau de batterie clignote deux fois par seconde, l'appareil s'éteint ensuite.</p>	<p>1. Protection à bas voltage de batterie</p>	<p>1. Supprimer toutes les connexions de sortie.</p> <p>2. Appuyez sur les Boutons allumer/éteindre du port.</p> <p>3. Si le port de sortie peut être activé, cela signifie que la charge attire trop de puissance de l'appareil et tire vers le bas le voltage de la batterie. Dans ce cas, seule la petite charge est connectée à l'appareil.</p> <p>4. Si tous les ports de sortie ne peuvent pas être activés, cela signifie que l'appareil ne doit pas continuer à alimenter la charge. Dans ce cas, rechargez l'appareil dès que possible pour prévenir des dommages permanents à la batterie.</p>
<p>Tous les Indicateurs de niveau de batterie et l'Indicateur LED d'état du port des Ports USB-A et du Port QC USB-A clignent deux fois par seconde</p>	<p>1. Protection de surintensité des Ports USB-A ou du Port QC USB-A</p> <p>2. Protection de court-circuit des Ports USB-A ou du Port QC USB-A</p>	<p>1. Supprimez les connexions aux Ports USB-A et au Port QC USB-A.</p> <p>2. Si les Ports USB-A ou le Port QC USB-A connaissent des court-circuits, supprimez immédiatement le court-circuit.</p> <p>3. Si les courants de charge des charges dépassent les spécifications des Ports USB-A ou du Port USB-A QC, arrêtez de les alimenter via les Ports USB-A ou le Port USB-A QC.</p>

		<p>4. Connectez uniquement les charges conformes aux spécifications des Ports USB-A et du Port QC USB-A à l'appareil.</p>
<p>Tous les Indicateurs de niveau de batterie et l'Indicateur LED d'état du port du Port D-Tap et du Port CIG clignotent deux fois par seconde</p>	<ol style="list-style-type: none"> <li>1. Protection de surintensité du Port D-Tap ou du Port CIG</li> <li>2. Protection de court-circuit du Port D-Tap ou du Port CIG</li> </ol>	<ol style="list-style-type: none"> <li>1. Supprimez les connexions au Port D-Tap et au Port CIG.</li> <li>2. Si le Port D-Tap ou le Port CIG connaissent des court-circuits, supprimez immédiatement le court-circuit.</li> <li>3. Si les courants de charge des charges dépassent les spécifications du Port D-Tap ou du Port CIG, arrêtez de les alimenter via le Port D-Tap ou le Port CIG.</li> <li>4. Appuyez sur le Bouton allumer/éteindre du port pour réactiver le Port D-Tap et le Port CIG et connecter uniquement les charges conformes aux spécifications du Port D-Tap et du Port CIG à l'appareil.</li> </ol>
<p>Tous les Indicateurs de niveau de batterie et l'Indicateur LED d'état du Port USB-C PD clignotent deux fois par seconde</p>	<ol style="list-style-type: none"> <li>1. Protection de surintensité du Port USB-C PD</li> <li>2. Protection de court-circuit du Port USB-C PD</li> </ol>	<ol style="list-style-type: none"> <li>1. Supprimez la connexion au Port USB-C PD.</li> <li>2. Si le Port USB-C PD connaissent des court-circuits, supprimez immédiatement le court-circuit.</li> <li>3. Si les courants de charge des charges dépassent les spécifications du Port USB-C PD, arrêtez de les alimenter via le Port USB-C PD.</li> <li>4. Connectez uniquement la charge conforme aux spécifications du Port USB-C PD à l'appareil.</li> </ol>

<p>Tous les Indicateurs de niveau de batterie et l'Indicateur LED d'état des Prises de CA clignotent deux fois par seconde</p>	<ol style="list-style-type: none"> <li>1. Protection de surintensité des Prises de CA</li> <li>2. Protection de court-circuit des Prises de CA</li> <li>3. Protection contre la surchauffe de l'onduleur</li> <li>4. Protection contre les sous-tensions de l'onduleur</li> </ol>	<ol style="list-style-type: none"> <li>1. Supprimer toutes les connexions de sortie.</li> <li>2. Si les Prises de CA connaissent des court-circuits, supprimez immédiatement le court-circuit.</li> <li>3. Si les charges ont consommé une puissance supérieure aux spécifications des Prises de CA, arrêtez de les alimenter via les Prises de CA.</li> <li>4. Si l'appareil fonctionne à des charges élevées ou à des températures élevées pendant une longue période, refroidissez-le à température ambiante.</li> <li>5. Si l'appareil alimentait de grandes charges à travers les Prises de CA à un faible niveau de batterie, rechargez l'appareil avant de reprendre le fonctionnement.</li> <li>6. Appuyez sur le Bouton allumer/éteindre du port pour réactiver les Prises de CA et connecter uniquement les charges conformes aux spécifications des Prises de CA à l'appareil.</li> </ol>
<p>Tous les Indicateurs LED de niveau de batterie et les Indicateurs LED de l'état du port de tous les ports de sortie d'exploitation clignotent deux fois par seconde</p>	<ol style="list-style-type: none"> <li>1. Protection totale de surcharge de sortie</li> </ol>	<ol style="list-style-type: none"> <li>1. Réaffectez les sorties pour maintenir la puissance de sortie totale sous 300W.</li> <li>2. Appuyez sur les Boutons allumer/éteindre du port pour activer uniquement les ports de sortie nécessaires.</li> </ol>

## QUESTIONS FRÉQUEMMENT POSÉES

### 1. Pourquoi mon PHOENIX 300 n'alimente-t-il pas d'autres appareils?

Tout d'abord, assurez-vous que les ports de sortie ont été activés en appuyant sur les Boutons allumer/éteindre du port correspondants. Ensuite, vérifiez le niveau de batterie de l'appareil. Si le dernier indicateur LED de niveau de batterie clignote, veuillez recharger l'appareil dès que possible. Finalement, veuillez vérifier si l'appareil connecté est conforme aux spécifications des ports de sortie. Si l'appareil n'arrive toujours pas à alimenter vos appareils, vous devez vous reporter à la section DÉPANNAGE ou nous contacter pour obtenir de l'aide. Reportez-vous à la dernière page du Guide des utilisateurs pour obtenir les coordonnées.

## **2. Puis-je remplacer le bloc-batterie de mon PHOENIX 300?**

Non, la batterie de PHOENIX 300 n'est pas remplaçable. N'essayez pas de démonter votre PHOENIX 300 et de remplacer la batterie par vous-même. Cela peut provoquer des dommages irréversibles à l'appareil et l'explosion de la batterie.

## **3. Le PHOENIX 300 est-il chaînable?**

Non, le PHOENIX 300 ne peut pas être relié à d'autres centrales électriques. Si vous êtes à la recherche d'une alimentation rechargeable de plus grande capacité, vous pouvez visiter notre site officiel ou nous contacter pour plus d'options. Reportez-vous à la dernière page du Guide des utilisateurs pour obtenir les coordonnées.

## **4. Le PHOENIX 300 est-il imperméable?**

Non, le PHOENIX 300 n'est pas imperméable à l'eau. Il vous faut garder l'appareil loin de l'humidité. Ne submergez pas l'appareil dans l'eau ou ne faites pas fonctionner l'appareil sous la pluie. Cela peut causer des courts-circuits, des chocs électriques et des incendies.

## **5. Pourquoi la batterie de PHOENIX 300 ne dure-t-elle pas aussi longtemps que je m'y attends?**

La capacité de la batterie est estimée à 0,2C. Quand le PHOENIX 300 fournit de l'énergie aux appareils à haute énergie, la résistance interne de la batterie convertit plus d'énergie en chaleur et diminue la capacité de la batterie en conséquence. Dans ce cas, vous ne pouvez pas obtenir la pleine 337Wh d'énergie.

# **GARANTIE**

- Les produits RENOGY sont couverts par une garantie limitée de 12 mois à partir de la date d'achat initial. S'il y a un problème, vous pouvez nous contacter pour obtenir de l'aide. Consultez la dernière page du mode d'emploi pour obtenir des coordonnées
- Nous fournissons uniquement un service après-vente pour les produits vendus par les détaillants et les distributeurs autorisés par RENOGY ou par RENOGY. Si vous avez acheté votre appareil auprès d'une autre source, communiquez avec votre vendeur pour obtenir plus de renseignements sur les retours et les garanties.
- Veuillez enregistrer vos achats directement à [warranty.renogy.com/support/tickets/new](http://warranty.renogy.com/support/tickets/new) ou sur le site Web local pour que nous puissions rester en contact et vous contacter dans le cas peu probable où un rappel de sécurité est nécessaire.

# PHOENIX 300

## ポータブル電源

モデル: R300PHX

 取り扱い説明書

## 目次

安全に関する重要注意事項 .....	70
特徴 .....	71
パッケージ内容 .....	71
製品一覧 .....	72
仕様 .....	73
バッテリー残量LEDインジケータ .....	74
PHOENIX 300を充電する .....	74
PHOENIX 300の操作方法 .....	77
メンテナンス .....	79
問題点及び解決方法 .....	80
よくある質問 .....	83
保証情報 .....	84

## 安全に関する重要注意事項

Phoenix 300を充電または使用する前に、取り扱い説明書をよく読んでください。

### 警告図記号

**警告**

人身傷害につながる潜在的な危険性があることを示しています

**危険**

本体または他の設備の損傷につながる条件または行動を示しています

**注意**

本体または他の設備にとって安全及び適切な手順または機能を示しています

**警告**

本製品を水に浸したり、雨の中で使用しないでください。そうすると、ショート、感電または火災を起こす可能性があります。

**警告**

本製品を火の隣に置いたり、加熱しないでください。そうすると、本体に損傷を与え、バッテリーの爆発を起こす可能性があります。

**警告**

ACまたはDC出力を過負荷にしないでください。ご使用前に、出力ポート及びデバイスの仕様を確認してください。

**警告**

本製品を廃棄するとき、当地のリサイクル及び環境規則に従ってください。

**警告**

感電を防ぐため、デバイスが接続されていない場合、出力ポートをオフにしてください。

**警告**

本製品を分解または改造しないでください。そうすると、品質保証が無効になり、本体に損害を与える可能性があります。

**警告**

本製品を幼児の手が届かないところに置いてください。

**警告**

本製品を直射日光の当たる場所や高温の場所に置かないでください。そうすると、誤作動や構造物の劣化を起こす可能性があります。

**警告**

本製品を強い静電界、強い磁界及び放射線にさらされないでください。

**警告**

使用する前に本体を確認してください。異臭や高熱、歪み、または他の異常がある場合、使用を停止してください。

## 特徴

### 革命的なスピード

PHOENIX 300のUSB-Cポートはパワーデリバリー (PD) テクノロジーを使って、互換性のあるデバイスに最大60Wの電力を輸出できます。クイックチャージ (QC) テクノロジーを使って、USB-Aポートから最大18Wの出力が可能です。

### 多様な出力ポート

PHOENIX 300には、多く使われている複数の出力ポートが装備されており、いろんなガジェットや小型設備に電力を供給できます。また、D-Tapポートは、カメラやビデオ設備と接続できます。

### 正弦波

正弦波インバータを内蔵、最大200Wを達するクリーン、静音、かつ安定なAC電力を生成し、繊細な電気設備に効率的かつ安全に電力を供給できます。

### 究極の安全性

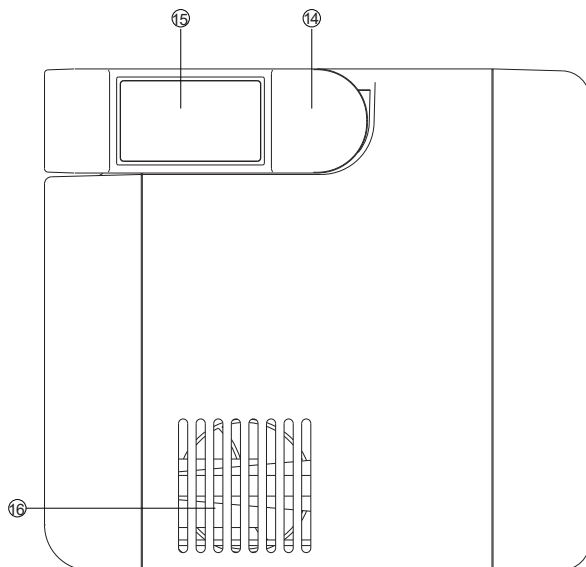
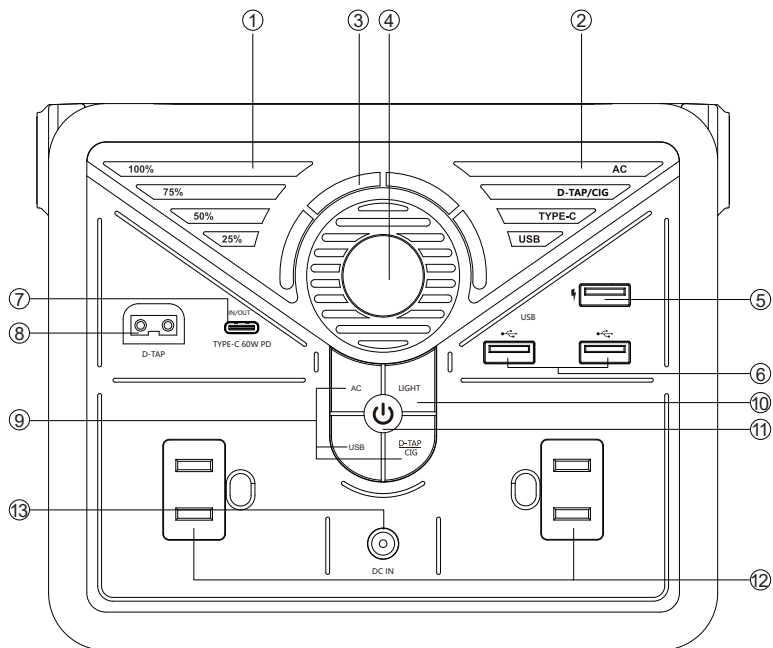
バッテリー管理システム (BMS) は、電圧制御、温度制御、短絡保護、過電流保護などを管理し、ポータブル電源及び電気設備に損傷を与えないように保護します。

## パッケージ内容

- 1 x Renogy PHOENIX 300 ポータブル電源
- 1 x USB-A⇄USB-Cケーブル
- 1 x USB-C⇄USB-Cケーブル
- 1 x ソーラーパネルコネクタ⇄5.5mmDC延長ケーブル
- 1 x AC/DC アダプター
- 1 x 取り扱い説明書



# 製品一覽



- ① バッテリー残量LEDインジケーター
- ② ポートステータスLEDインジケーター
- ③ 側面ライトステータスLEDインジケーター
- ④ CIGポート
- ⑤ QC USB-A ポート
- ⑥ USB-A ポート
- ⑦ USB-C PD ポート
- ⑧ D-Tap ポート
- ⑨ ポートオン/オフボタン
- ⑩ 側面ライトオン/オフボタン
- ⑪ メイン電源ボタン
- ⑫ AC コンセント
- ⑬ DC 入力ポート
- ⑭ 収納式ハンドル
- ⑮ LED 側面ライト
- ⑯ 換気口

## 仕様

概要	
寸法	181 x 155 x 143 mm / 7.1 x 6.1 x 5.6 in.
重量	2.9 kg / 6.4 lb.
材質	PC + ABS
側面ライト	2 x 1.6W LED
動作温度	0-40°C / 32-104°F
保管温度	0-45°C / 32-113°F
動作/保管湿度	45-95%
認証	FCC、CE、PSE、RoSH
バッテリー	
タイプ	リチウムイオンバッテリー
電圧	14.4V
容量	23400mAh / 337Wh
サイクル寿命	1000サイクルで本来容量の80%になります
入力	
DC入力ポート	12~25V、最大50W
USB-C PDポート	5-20V、最大60W
合計	最大110W
出力	
QC USB-A ポート	3.6-6V / 3A、6.5-9V / 2A、9-12V / 1.5A、最大18W
USB-A ポート (2)	各ポート5V / 2.4A、合計最大3.4A
USB-C PD ポート	5-20V、最大60W

CIG ポート	11-17V / 最大10A
D-Tap ポート	11-17V / 最大10A
AC コンセント (2)	110V / 60Hz (US, JP, CA) 220V / 50Hz (AU, EU, CN) 定格200W、サージ 350W 純正弦波
合計連続出力	最大300W

## バッテリー残量LEDインジケーター

- PHOENIX 300は4つのバッテリー残量LEDインジケーターがあり、およそ25%-50%-75%-100%のバッテリー残量を示します。
- PHOENIX 300を使って他のデバイスに充電すると、バッテリー残量LEDインジケーターが1つずつ消し、バッテリーの残量を示します。
- PHOENIX 300のバッテリー残量が15%未満の場合、最後のバッテリー残量LEDインジケーターが1秒ごとに2回点滅します。
- PHOENIX 300を充電すると、バッテリー残量LEDインジケーターの1つが点滅します。点滅するLEDインジケーターは、現在のバッテリー残量を示しています。PHOENIX 300が満充電になると、すべてのバッテリー残量インジケーターが点灯し続けます。

### 警告

バッテリー残量LEDインジケーターが異常な点滅をする場合、ご注意が必要です、問題点及び解決方法を参考してください。

## PHOENIX 300を充電する

### 警告

バッテリー寿命を最大化するためには、使用または保管する前にPHOENIX 300を満充電してください。

### 注意

PHOENIX 300の充電時間を短縮するためには、充電中にすべての負荷を切断することをお勧めします。

### 充電時間

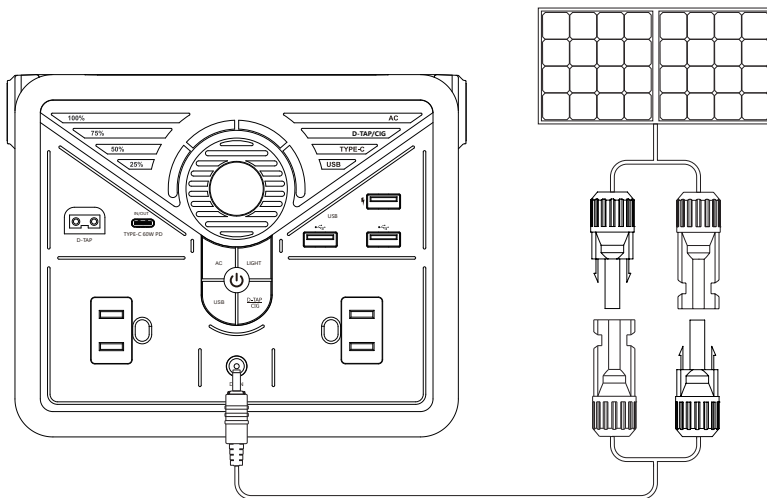
- ソーラーを介して充電: 8時間
- AC/DCアダプターを介して充電: 8時間
- USB-C PD壁充電器を介して充電: 6時間
- AC/DCアダプターとUSB-C PD壁充電器の両方を介して充電: 3.5時間

**注意**

上記の再充電時間は、PHOENIX 300に負荷が接続されていないフルスピードで再充電された場合の条件に基づいています。

**ソーラーを介して充電**

- 最適な充電を得るためには、互換性のあるソーラーパネル（別売り）を使用し、曇りのない晴天でPHOENIX 300を充電することをお勧めします。
- ソーラーパネルを直射日光の下に置いてください。木や枝のある場所を避けてください、陰影があると充電速度が落ちます。
- 付属のソーラーパネルコネクタ⇄5.5mmDC延長ケーブルを使って、ソーラーパネルをPHOENIX 300のDC入力ポートに接続してください。充電するとき、過熱を防止するため、PHOENIX 300を日陰に置いてください。
- PHOENIX 300は自動的に再充電を開始し、バッテリー残量LEDインジケーターの1つが点滅します。点滅するLEDインジケーターは、現在のバッテリー残量を示しています。

**互換性のあるソーラーパネル:**

- **Renogy** 単結晶ソーラーパネル: 50W、80W、100W
- **Renogy** 多結晶ソーラーパネル: 50W、100W
- **Renogy ECLIPSE**シリーズソーラーパネル: 100W
- **Renogy** 単結晶折りたたみ式ソーラースーツケースコントローラーなし: 100W
- **Renogy ECLIPSE**シリーズ折りたたみ式ソーラースーツケースコントローラーなし: 100W
- **Renogy** フレキシブルソーラーパネル: 50W、100W
- **Renogy E.FLEX**シリーズポータブルソーラーパネル: 50W

**危険**

ソーラーパネルコネクタ⇔5.5mmDCの延長ケーブルが破損または擦り傷がある場合、感電する可能性があります。破損または擦り傷のあるケーブルでPHOENIX 300に充電しないでください。

**警告**

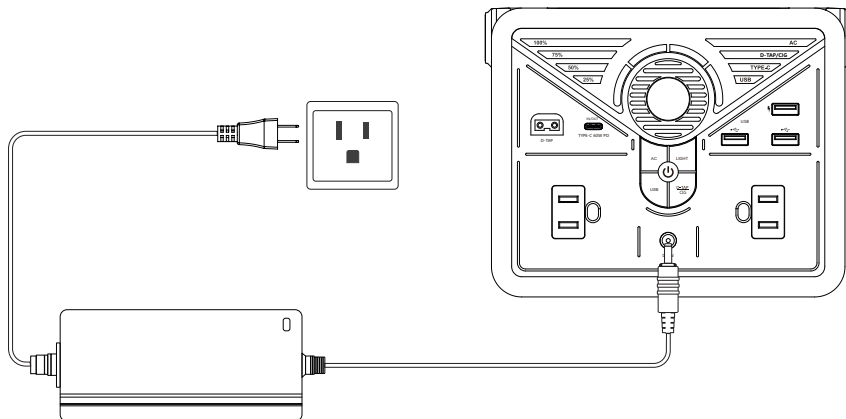
公称開放電圧が12V～25Vの間のソーラーパネルを使用してください。

**注意**

ソーラーの充電時間は、ソーラー放射照度と周囲温度に大きく左右されています。

### AC/DCアダプターを介して充電

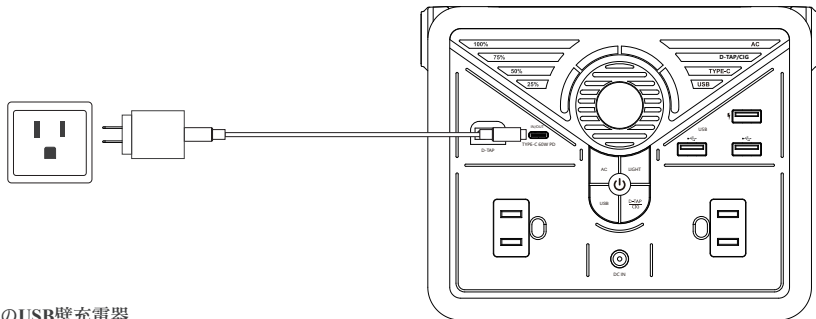
- 付属のAC/DCアダプターを使って、DC入力ポートから壁のコンセントに差し込んでください。
- PHOENIX 300は自動的に再充電を開始し、バッテリー残量LEDインジケーターの1つが点滅します。点滅するLEDインジケーターは、現在のバッテリー残量を示しています。

**危険**

AC/DCアダプターのケーブルが破損または擦り傷がある場合、感電する可能性があります。破損または擦り傷のあるケーブルで PHOENIX 300に充電しないでください。

### USB-C PD壁充電器を介して充電

- 付属のUSB-A⇔USB-CケーブルまたはUSB-C⇔USB-Cケーブルを使用してPHOENIX 300をUSB壁充電器（別売）に接続し、USB壁充電器を壁のコンセントに差し込みます。
- PHOENIX 300は自動的に再充電を開始し、バッテリー残量LEDインジケーターの1つが点滅します。点滅するLEDインジケーターは、現在のバッテリー残量を示しています。
- PHOENIX 300は、USB-C壁充電器またはUSB-A壁充電器を介して充電できるように設計されています。ただし、最適な充電パフォーマンスを得るには、高電力定格のUSB-C PD壁充電器（別売）を使用してPHOENIX 300を充電することを強くお勧めします。



#### 推奨のUSB壁充電器

- Apple USB-C電源アダプタ: 30W、61W、87W、96W
- Google USB-C電源アダプタ: 45W

#### 危険

USB壁充電器が破損した場合、感電する可能性があります。破損のUSBウォール壁充電器ジャーでPHOENIX 300に充電しないでください。

## PHOENIX 300の操作方法

#### 警告

PHOENIX 300を104°F (40°C)を超える高温または32°F (0°C)を下回る低温環境で操作すると、バッテリーの性能が低下し、寿命が短縮する可能性があります。バッテリー性能と寿命を最大化するためには、PHOENIX 300を室温で操作することをお勧めします。

#### 稼働時間

- バッテリータイプのデバイス:

$$\text{満充電の回数} = \frac{67,392\text{mAh} \times 0.95}{\text{デバイスのバッテリー容量 (mAh)}}$$

- DC 入力のデバイス:

$$\text{稼働時間} = \frac{337\text{Wh} \times 0.95}{\text{デバイスの定格電力 (W)}}$$

- AC入力のデバイス

$$\text{稼働時間} = \frac{337\text{Wh} \times 0.85}{\text{デバイスの定格電力 (W)}}$$

#### 注意

上記の推定算式は、PHOENIX 300が満充電され、デバイスがあまり電力を消費しない場合のみ適用されます。

#### 注意

実際の満充電回数と稼働時間は、充電方式やデバイスの稼働状況によって異なります。

## デバイスに充電

- 4つのポートステータスLEDインジケータは、ACコンセント、D-Tapポート/CIGポート、USB-C PDポート、QC USB-Aポート/USB-Aポートのステータスをそれぞれ示しています。
- CIGポートまたはD-Tapポート、およびACコンセントを使用する場合は、先ず相応ポートのオン/オフボタンを押してポートをオンにします。相応ポートのステータスLEDインジケータが点灯します。次は、デバイスをポートに接続してください。ポートを使用しないとき、相応ポートのオン/オフボタンを長押ししてオフにしてください、相応ポートのステータスLEDインジケータが消灯します。
- USB-AポートまたはQC USB-Aポートを使用する場合は、デバイスをポートに接続してください。相応ポートのステータスLEDインジケータが点灯し、デバイスへ充電し始めます。ポートを使用しないとき、相応ポートのオン/オフボタンを長押ししてオフにしてください、相応ポートのステータスLEDインジケータが消灯します。
- USB-C PDポートを使用する場合は、デバイスをポートに接続してください。相応ポートのステータスLEDインジケータが点灯し、デバイスへ充電し始めます。ポートを使用しない場合、相応ポートのオン/オフボタンを長押ししてオフにしてください、相応ポートのステータスLEDインジケータが消灯します。
- PHOENIX 300にデバイスが接続されていない場合、節電のためにメイン電源ボタンを押して電源を切ってください。
- PHOENIX 300のバッテリー残量が10%未満の場合、ACコンセントの使用は自動的に無効になります。DC出力ポートを介して、デバイスに充電し続けてください。
- バッテリーの電圧が極端に低い場合、すべての出力が自動的に遮断されます。詳細については、問題点及び解決方法を参考してください。

## 互換性のあるデバイス:

- **USB-Aポート/ QC USB-Aポート:** スマートウォッチ、電子書籍リーダー、スマートフォン、タブレット、アクションカメラ、デジタルカメラ、Bluetoothスピーカー、ワイヤレスヘッドフォン、ドローン、および他のUSB対応デバイス。
- **USB-C PDポート:** スマートフォン、タブレット、ラップトップ、ハンドヘルドゲームコンソール、DSLRカメラ、および他のUSB-C対応デバイス。
- **CIGポート:** ポータブル冷蔵庫、車の掃除機、車の空気ファン、CPAPマシンおよび他の車の動力装置。
- **D-Tapポート:** DSLRカメラ、カムコーダー、デジタルシネマカメラ、LEDライト、および他の写真またはビデオ撮影設備。
- **ACコンセント:** ラップトップ、モニター、テレビ、ゲームコンソール、インクジェットプリンター、ポータブルプロジェクター、電球、および他のAC電源デバイス。

**警告**

PHOENIX 300は、最大300Wの連続出力を提供できます。各出力ポートの仕様に従って、出力を合理的に配分してください。PHOENIX 300を過負荷にしないでください。

**危険**

PHOENIX 300が満載負荷で稼働している場合、バッテリーの高温保護が作動する可能性があります。この場合、操作を再開する前にポータブル電源を冷却してください。詳細については、問題点及び解決方法を参考してください。

**危険**

PHOENIX 300のACコンセントを使用する場合、インバーターが効率良く放熱できるため、本体両側に10cmのスペースを確保してください。

**危険**

ポートステータスLEDインジケータが異常な点滅をする場合、ご注意が必要です。詳細については、問題点及び解決方法を参考してください。

**注意**

高いサージ電流が必要とするデバイスは、出力ポートの定格電力を超えていなくても、PHOENIX 300と互換性がない可能性があります。

**注意**

PHOENIX 300が高い消費電力のデバイスに充電するとき、バッテリー残量が急速に低下する可能性があります。この場合、実質337Whのエネルギーを得ることができない可能性があります。

**注意**

PHOENIX 300は再充電する同時に、デバイスにDC電力を供給できます。ただし、PHOENIX 300を充電するときは、AC出力を利用できません。

## LED側面ライトの使用

- 収納式ハンドルの両端にあるLED側面ライトは、明るい（明度100%）、暗い（明度50%）、点滅、およびSOSの4つの点灯モードがあります。
- LED側面ライトのオン/オフボタンを押して、ライトをオン/オフにすることができます。また照明モードも切り替えられます。LED側面ライトのオン/オフボタンを長押しすると、どのモードでもライトをオフにすることができます。

## メンテナンス

- PHOENIX 300の使用年数を延ばすためには、過酷な日光、水、ほこり、汚れから離れた場所に置いてください。過酷な環境下でPHOENIX 300を屋外に放置しないでください。
- 可能であれば、PHOENIX 300を使わないときも電源に接続してください。バッテリー残量が少ないときは大きな負荷を接続しないでください。
- 良好なバッテリー状態を維持するためには、少なくとも2ヶ月1回にPHOENIX 300を充電してください。



- PHOENIX 300の使用頻度が低い場合、バッテリー残量を約50%に保ち、温度77°F(25°C)前後、湿度75%以下の換気の良い、清潔かつ乾燥な環境に保管することをお勧めします。
- PHOENIX 300を腐食物、火、熱源から遠ざけてください。

## 問題点及び解決方法

- PHOENIX 300が正常に作動しない場合、下記の表を参考し、考えられる原因と解決策を見つけてください。
- 問題点及び解決方法を見ても解決出来ない場合、お問い合わせください。連絡先は説明書の最後のページに記載されております。

LEDインジケータ	問題点	解決方法
すべてのバッテリー残量LEDインジケータが1秒ごとに2回点滅	<ol style="list-style-type: none"> <li>1. DC入力ポートの過電圧保護</li> <li>2. DC入力ポートの低電圧保護</li> </ol>	<ol style="list-style-type: none"> <li>1. すべての接続を切断してください。</li> <li>2. 入力電源の定格電圧が12~25Vの範囲外の場合、その電源の使用を停止し、DC入力ポート経由で本体に再充電してください。</li> <li>3. 本体をDC入力ポートの仕様に準拠した電源に接続すると、本体は自動的に再充電を再開します。</li> </ol>
すべてのバッテリー残量LEDインジケータとポートステータスLEDインジケータが1秒ごとに2回点滅	<ol style="list-style-type: none"> <li>1. バッテリー高温保護</li> <li>2. バッテリー低温保護</li> </ol>	<ol style="list-style-type: none"> <li>1. すべての接続を切断してください。</li> <li>2. 本体を室温まで冷却または加熱してください。</li> <li>3. 本体が負荷に電力を供給していた場合は、ポートオン/オフボタンを押して出力ポートを再度オンにし、負荷を本体に再接続します。</li> <li>4. 本体が再充電されていた場合、本体を電源に再接続すると、本体は再充電を再開します。</li> </ol>

<p>最後のバッテリー残量LEDインジケータが1秒ごとに2回点滅し、本体はその後シャットダウンされます</p>	<p>1. バッテリー低電圧保護</p>	<p>1. すべての接続を切断します。</p> <p>2. ポートのオン/オフボタンを押します。</p> <p>3. 出力ポートをオンにできる場合、負荷が過剰な電力を消費し、バッテリー電圧を引き下げたことを示しています。この場合、小さな負荷のみを本体に接続してください。</p> <p>4. どの出力ポートもオンにできない場合、本体が負荷に充電出来ないことを示しています。この場合、バッテリーに損傷を与えないよう、できるだけ早く本体を充電してください。</p>
<p>すべてのバッテリー残量LEDインジケータとUSB-Aポート/QC USB-AポートのステータスLEDインジケータが1秒ごとに2回点滅</p>	<p>1. USB-AポートまたはQC USB-Aポートの過電流保護</p> <p>2. USB-AポートまたはQC USB-Aポートの短絡保護</p>	<p>1. USB-AポートとQC USB-Aポートへの接続を切断してください。</p> <p>2. USB-AポートまたはQC USB-Aポートが短絡した場合は、すぐに短絡を取り除いてください。</p> <p>3. 負荷の消費電流がUSB-AポートまたはQC USB-Aポートの仕様を超える場合、負荷の接続を切断してください。</p> <p>4. USB-AポートとQC USB-Aポートの仕様に準拠する負荷のみを本体に接続します。</p>
<p>すべてのバッテリー残量LEDインジケータとD-Tapポート/CIGポートのステータスLEDインジケータが1秒ごとに2回点滅</p>	<p>1. D-TapポートまたはCIGポートの過電流保護</p> <p>2. D-TapポートまたはCIGポートの短絡保護</p>	<p>1. D-TapポートとCIGポートへの接続を切断してください。</p> <p>2. D-TapポートまたはCIGポートが短絡した場合は、すぐに短絡を取り除いてください。</p>

		<p>3. 負荷の消費電流がD-TapポートまたはCIGポートの仕様を超える場合、負荷の接続を切断してください。</p> <p>4. ポートオン/オフボタンを押してD-TapポートとCIGポートを再度オンにし、D-TapポートとCIGポートの仕様に準拠する負荷のみを本体に接続します。</p>
すべてのバッテリー残量LEDインジケータとUSB-C PDポートのステータスLEDインジケータが1秒ごとに2回点滅	<p>1. USB-C PDポートの過電流保護</p> <p>2. USB-C PDポート短絡保護</p>	<p>1. USB-C PDポートへの接続を切断してください。</p> <p>2. USB-C PDポートが短絡した場合は、すぐに短絡を取り除いてください。</p> <p>3. 負荷の消費電流がUSB-C PDポートの仕様を超える場合、負荷の接続を切断してください。</p> <p>4. USB-C PDポートの仕様に適合する負荷のみを本体に接続します。</p>
すべてのバッテリー残量LEDインジケータとACコンセントのステータスLEDインジケータが1秒ごとに2回点滅	<p>1. ACコンセント過電流保護</p> <p>2. ACコンセント短絡保護</p> <p>3. インバーター過熱保護</p> <p>4. インバーター低電圧保護</p>	<p>1. すべての出力を切断してください。</p> <p>2. ACコンセントが短絡した場合は、すぐに短絡を取り除いてください。</p> <p>3. 負荷の消費電力がACコンセントの仕様を超える場合は、負荷の接続を切断してください。</p> <p>4. 本体が高負荷または高温で長時間稼働している場合は、本体を室温まで冷却してください。</p> <p>5. 本体のバッテリー残量が低い状態でACコンセントを介して大きな負荷に電力を供給していた場合は、まず本体を充電してください。</p>

		6. ポートオン/オフボタンを押してACコンセントを再びオンにし、ACコンセントの仕様に準拠した負荷のみを本体に接続します。
すべてのバッテリー残量LEDインジケータと出力ポートのステータスLEDインジケータが1秒ごとに2回点滅	1. 総出力過負荷保護	1. 出力を再割り当てして、合計出力電力を300W未満に保ちます。 2. ポートオン/オフボタンを押して、必要な出力ポートのみをオンにします。

## よくある質問

### 1. PHOENIX 300は他のデバイスに電力を供給しないのはなぜですか？

まず、対応するポートオン/オフボタンを押して、出力ポートがオンになっていることを確認します。次に、本体のバッテリー残量を確認します。最後のバッテリー残量LEDインジケータが点滅している場合は、できるだけ早く本体を充電してください。最後に、接続されたデバイスが出力ポートの仕様に合っているかどうかを確認してください。それでもデバイスに電力を供給しない場合は、問題点及び解決方法を参考に、弊社にお問い合わせください。連絡先については、説明書の最後のページに記載されています。

### 2. PHOENIX 300のバッテリーは交換できますか？

いいえ、PHOENIX 300のバッテリーは交換できません。PHOENIX 300を分解したり、バッテリーを自分で交換したりしないでください。本体に永久的な損傷を与え、バッテリーが爆発する可能性があります。

### 3. PHOENIX 300は他のポータブル電源と接続できますか？

いいえ、PHOENIX 300は他のポータブル電源と接続することはできません。より大容量の充電式AC電源をお探しの場合は、弊社の公式ウェブサイトをご覧になるか、メールや電話でお問い合わせください。連絡先については、説明書の最後のページに記載されています。

### 4. PHOENIX 300は防水ですか？

いいえ、PHOENIX 300は防水ではありません。本体を湿気から遠ざけるようにしてください。本体を水に浸したり、雨の中で操作したりしないでください。そうすると、ショート、感電、火災の原因になる可能性があります。

## 5. PHOENIX 300は期待通りの容量が出ないのはなぜですか？

バッテリーの定格容量は0.2Cです。PHOENIX 300が高消費電力のデバイスに電力を供給している場合、バッテリーの内部抵抗はより多くのエネルギーを熱に変換し、その結果バッテリー容量が低下します。この場合、実質337Whのエネルギーを得られない可能性があります。

### 保証情報

- RENOGYの製品は、最初の購入日から12か月の保証期間があります。もし何か問題がある場合は、お問い合わせください。連絡先については、説明書の最後のページに記載されております。
- RENOGYまたはRENOGYが承認した小売業者および販売業者から購入頂いた製品のみ、アフターサービスを提供いたします。別途購入の場合、返品と保証の詳細は販売者にお問い合わせください。
- 万が一、リコールが必要になった場合は、連絡を取り合える[warranty.renogy.com/support/tickets/new](https://warranty.renogy.com/support/tickets/new)に購入情報を登録してください。

FCC Compliance:





This device complies with Part 15 of the FCC Rules. Operation is subject to the following two conditions: (1) this device may not cause harmful interference, and (2) this device must withstand any interference received, including interference that may cause undesired operation.





**MADE IN CHINA**



---


Renogy reserves the right to change the contents of this manual without notice.



**US** |  2775 E Philadelphia St, Ontario, CA 91761, USA  
 909-287-7111  
 [www.renogy.com](http://www.renogy.com)  
 [support@renogy.com](mailto:support@renogy.com)



**CN** |  苏州高新区科技城培源路1号5号楼-4  
 400-6636-695  
 <https://www.renogy.cn>  
 [support@renogy.cn](mailto:support@renogy.cn)

**JP** |  <https://www.renogy.jp>  
 [supportjp@renogy.com](mailto:supportjp@renogy.com)

**CA** |  <https://ca.renogy.com>  
 [supportca@renogy.com](mailto:supportca@renogy.com)

**AU** |  <https://au.renogy.com>  
 [supportau@renogy.com](mailto:supportau@renogy.com)

**UK** |  <https://uk.renogy.com>  
 [supportuk@renogy.com](mailto:supportuk@renogy.com)

**DE** |  <https://de.renogy.com>  
 [supportde@renogy.com](mailto:supportde@renogy.com)